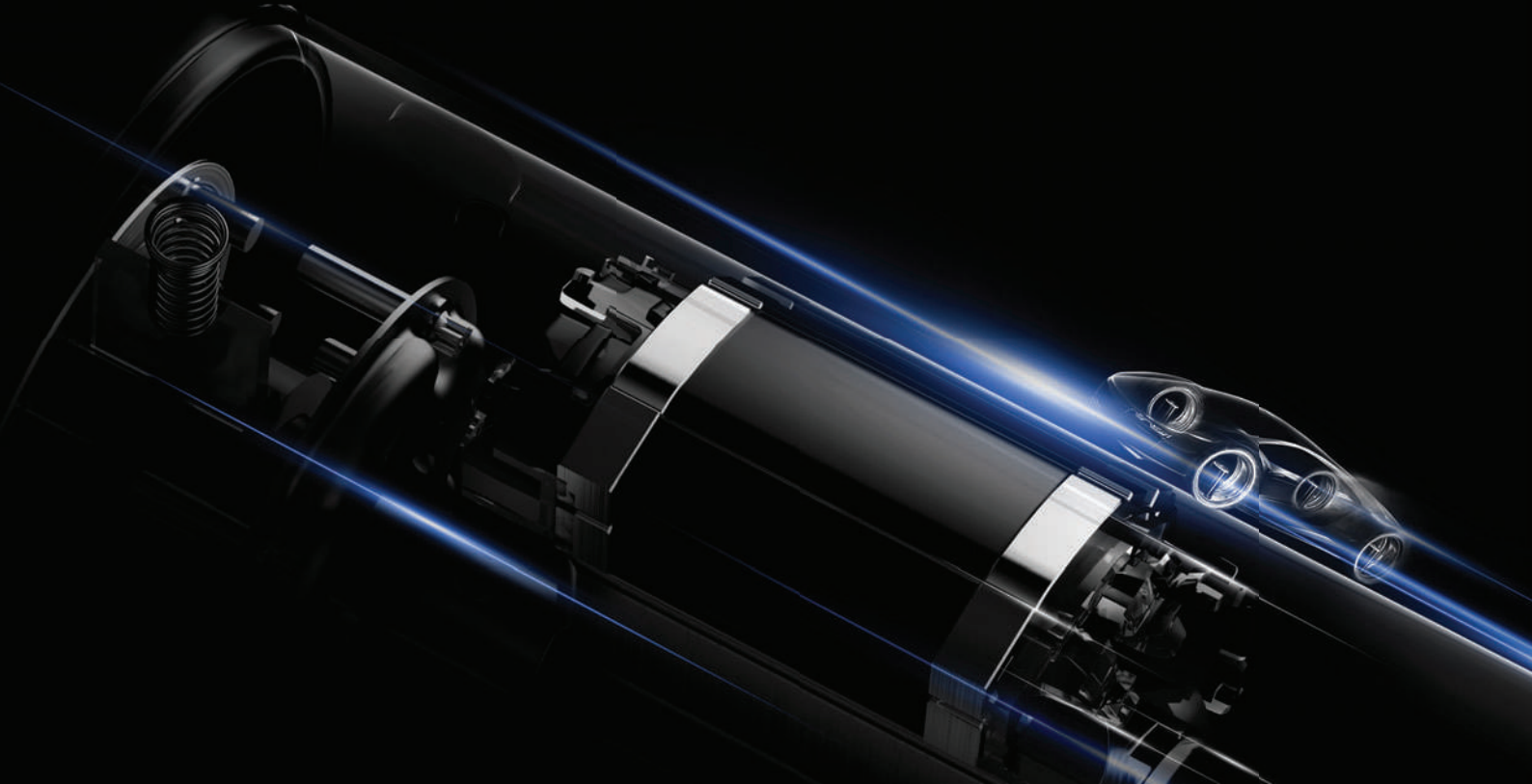


LIGHT COMMERCIAL AIR CONDITIONER PRODUCT CATALOGUE

2026

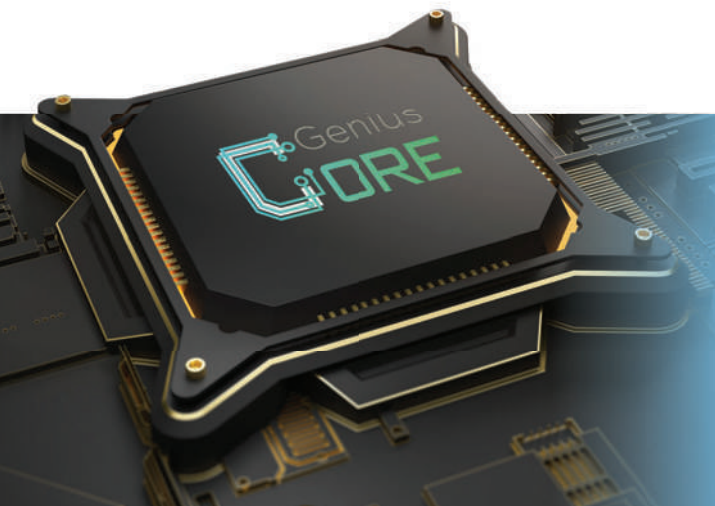
INVERTER TECHNOLOGY



THE EXCLUSIVE INVERTER QUATTRO™ TECHNOLOGY

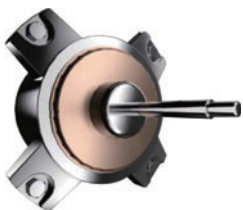
A brain that calculates your needs in any conditions

- Up to **71%** Ultra Energy Saving **65Hz in 6 seconds** Flash Cooling
- Within **±1°C** Comfort With Stable Temperature



FULL DC INVERTER SYSTEM

Thanks to the Full DC Inverter System, Midea's air conditioners achieved 20% higher energy efficiency compared to normal AC inverters.



Sine-Wave DC inverter control

High energy efficiency and low noise operation is realized by using a sine-wave DC inverter control



Exclusive rare Earth magnet motor

Higher speed, better efficiency

i-Balance Operation



IPM DC Fan Motor

Produces 10% higher efficiency with smaller size

DC Inverter Compressor

A series of hardware technology improvements ensure that the compressor operates more efficiently and economically at low frequencies, enhancing the overall efficiency of the unit.

Global No.1

45% market share in global compressor manufacturing

1 Billion

cumulative sales of GMCC A/C Rotary Compressors

1 Out of Every 2 ACs

uses GMCC compressor worldwide



Indoor DC Fan Motor

Outdoor DC Fan Motor

DC Inverter Motor

Through intelligent control systems and inverter technology, DC inverter motor could achieve energy savings and be resistant to voltage fluctuations, ensuring high-efficient and stable operation.

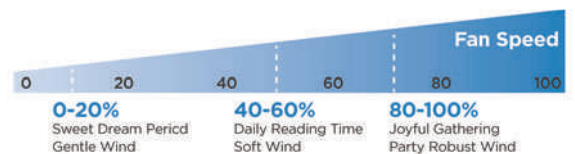
Benefits:

100-gears Wind Speed Control on Indoor Unit

Adjust the fan speed precisely by increasing or decreasing the AC in 1% increments up to 100 levels

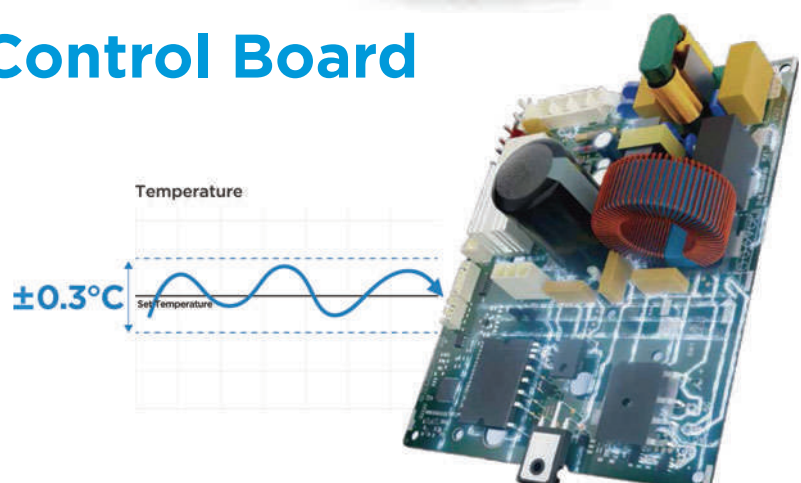
Auto Dedusting on Outdoor Unit

Use the Auto Dedusting mode to rotate the outdoor unit in reverse to remove dust



Ultra Electronic Control Board

With the upgraded air conditioning control software algorithm, the ultra main PCB allows for more precise AC operation, resulting in temperature control within $\pm 0.3^{\circ}\text{C}$ for a more comfortable experience, ensuring high-efficient and stable operation.



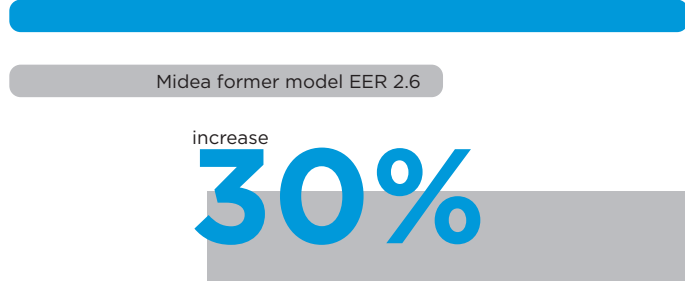
HIGHER ENERGY EFFICIENCY

Eco-Friendly and Economic-friendly



LOWER POWER CONSUMPTION

Midea's air conditioner achieves EERs of 3.72 for cooling operation and COPs of 4.6 for heating operation thanks to Midea's DC Inverter control and the high efficiency tube of the heat exchanger.



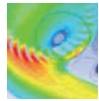
Bionic Blower Wheel and Improved Air Duct



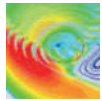
Ordinary fan blade design



Midea high static pressure fan blade design



Standard air duct damper



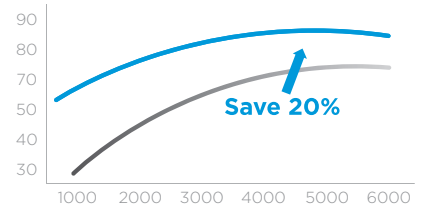
High-efficiency air duct damper

V-PAM (Vector + I-PAM) Inverter Control

Provide maximum speed and efficiency.

Full DC Inverter Control

Efficiency %



Twin-Rotary Compressor

Low vibration & noise due to small torque.

Inner Groove-Tube

Better efficiency of heat transfer.



HYPER GRAPFINS

Extreme Durability

Prime Guard

20 to 50-year
corrosion resistance fin*

Verified by **intertek**
Total Quality. Assured.

(Ref. ISO 21207: 2015, Annex A, test method B)



Midea Exclusive Anti-Aging Technology Test

After 240 hour UV test and 72 hour neutral salt spray (fog) test

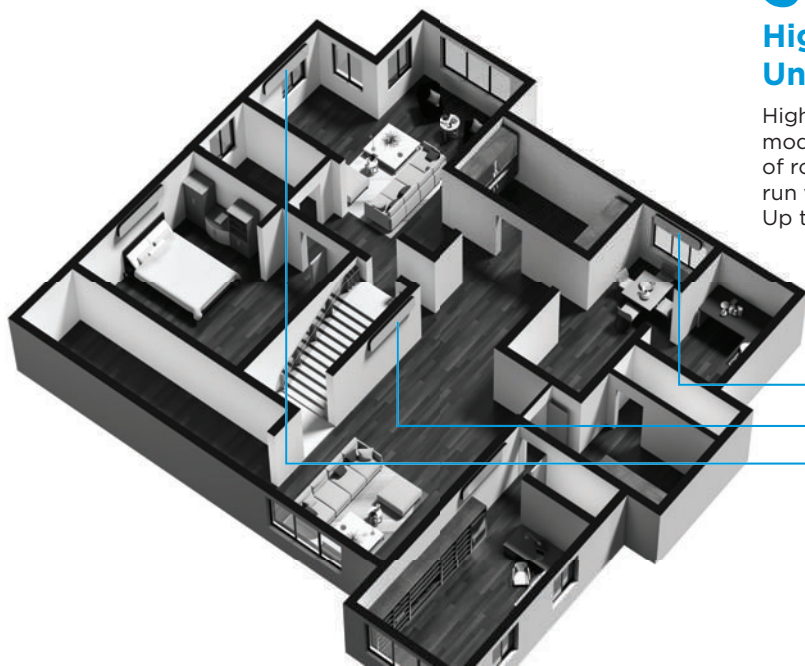
HYPER GRAPFIN

0.02% corrosion area*

12.5Xmore

corrosion resistance
than blue coating

*The judgment standard of corrosion resistance is based on comparing the maximum corrosion area ratio of the rating number in JIS Z 2371-2015. Compared samples are Midea fins: Midea blue coated fins in HD2202-2/HW3308. Midea HYPER GRAPFINS in HMD011/HW3308.

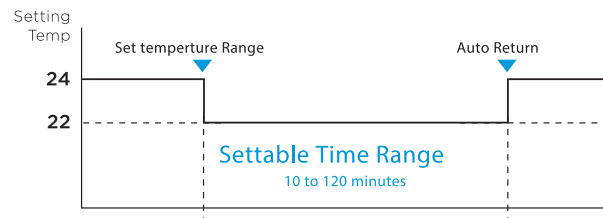


ECO iECO Mode

One click to limit the maximum frequency current while still maintain the room temperature within the optimal temperature, guarantee a cool night sleep with maximum energy saving.

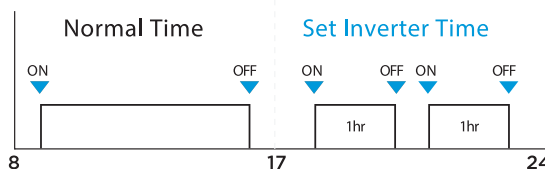
Automatic Temperature Return

The temperature can automatically return to the previous setting point. This function is especially useful for shops or restaurants that return to a higher temperature after the busy hours.



Automatic Time-off

The outdoor unit can automatically turn off when it reaches to the preset operating time frame to prevent energy wasting even when you leave with the AC on.



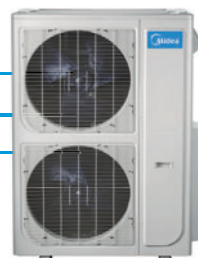
Set Temperature Limitation

The minimum and maximum temperature range can be set giving further energy saving while considering the comfort of the occupants.

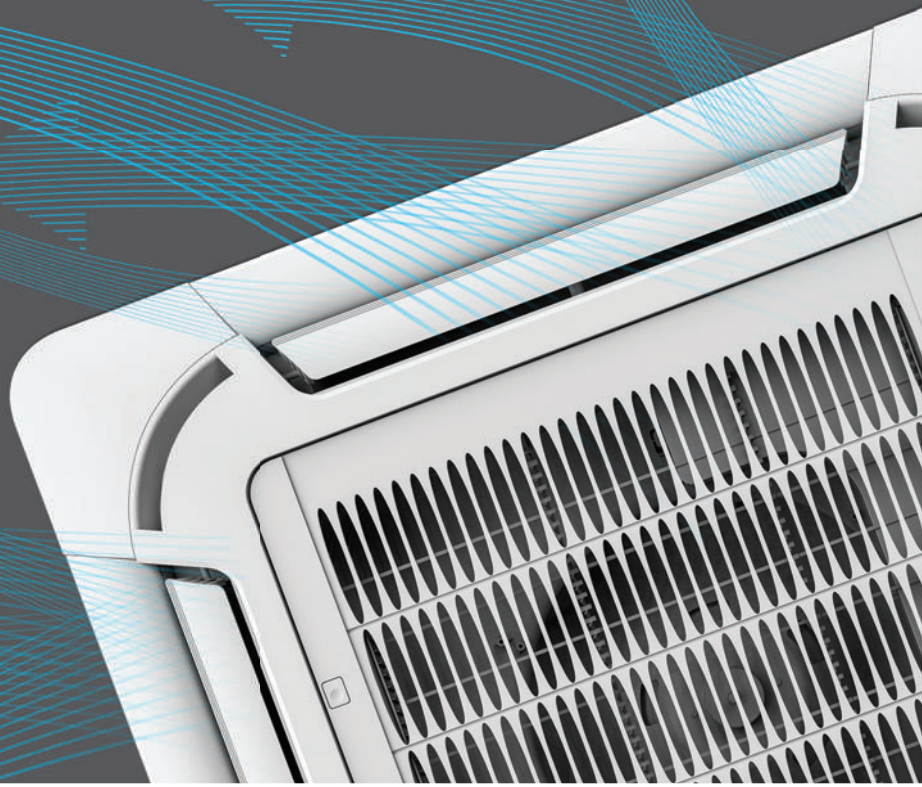


30% Higher Energy Efficiency Under Partial Load

Higher efficiency can be achieved through partial output mode of the inverter compressor. In situations only a part of rooms that need air conditioning, the outdoor unit will run with partial output to lower the power consumption. Up to 30% less energy use under partial load.



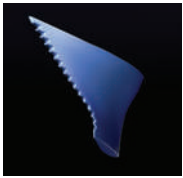
BETTER COMFORT



LOW NOISE TECHNOLOGY

Midea's air conditioner operates at minimum 19dB(A) low noise level.

Indoor fan design



Traditional centrifugal wind turbines



Owl airfoil centrifugal wind turbines

*Specifications may vary for each model

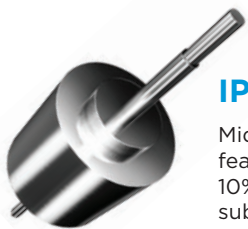


Twin-Rotary Compressor

The Twin-Rolling compressor system rotating with 180° symmetrical balance which ensure low vibration and noise due to the small torque.

Air Stabilizer in Duct

Low noise duct structure with a built-in air stabilizer.



IPM DC Fan Motor

Midea's exclusive IPM DC Fan Motor feature 35% smaller in size while 10% higher in efficiency, providing substantial air volume and high static pressure, while keeping electrical and mechanical noise lower (1-3dB (A) quieter).



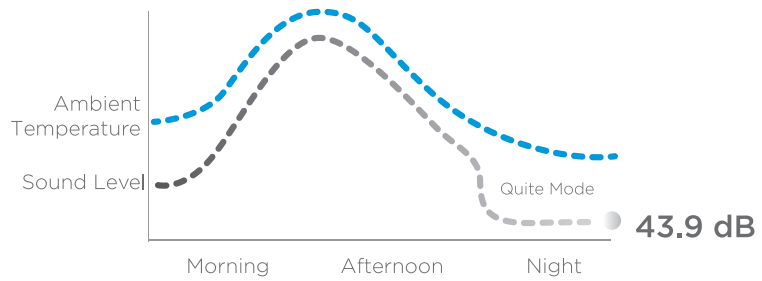
19dB
MINI DUCT

22dB
LIBRARY

26dB
FOREST

41dB
CEILING & FLOOR

43dB
CASSETTE



Low-noise outdoor unit operation

Quiet mode activates when the ambient temperature falls. At the right moment, the outdoor unit will automatically lower the operating frequency of the inverter compressor as well as the speed of the DC fan motor, achieving a minimal 43.9 dB(A) noise level.

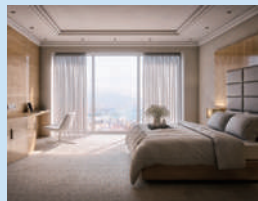
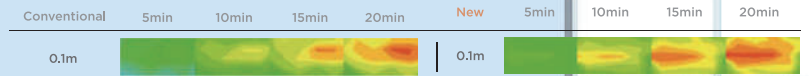
30%

faster in Cooling

Fast Cooling

Thanks to the Inverter Quattro™ technology, Midea's air conditioner can increase the speed to approximately 30% in cooling while consuming less energy, by accurately sense the temperature difference and adjust the compressor rotation speed to create optimal and comfortable room temperature.

Changes in Temperature Over 20 Minutes

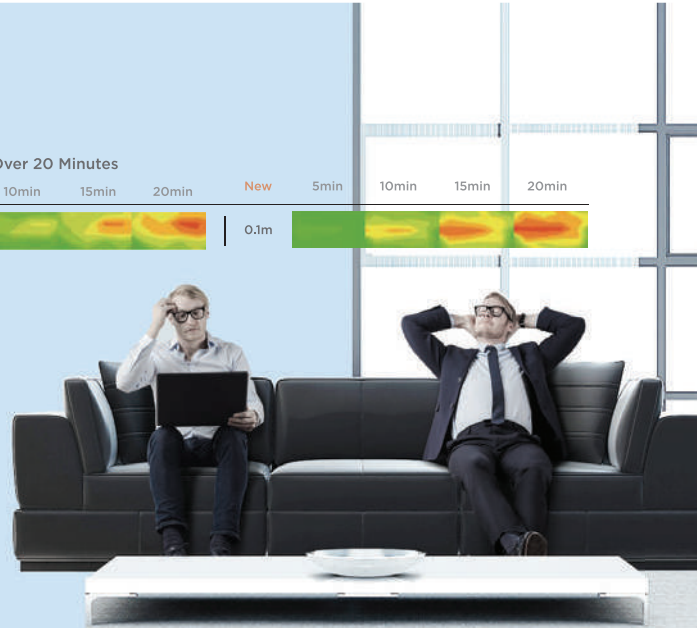


Keeping you steadily cool within

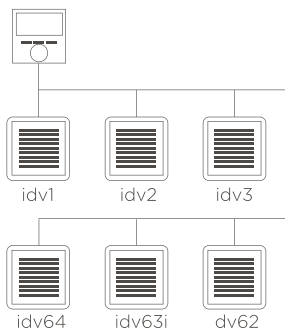
± 1°C

Precise Temperature Control

Thanks to the precise control of the Inverter Quattro™'s micro-chip, Midea's air conditioner can easily maintain the desired temperature by varying the compressor speed without repeatedly turning on and off, keeping you comfortable with steady temperature within 1°C.



FLEXIBLE ZONING CONTROL



Convenient Remote Controller

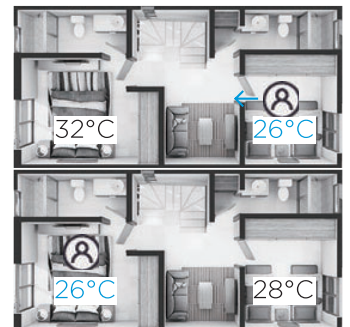
Max64 Centralized Control



Weekly Timer



Sleep Mode

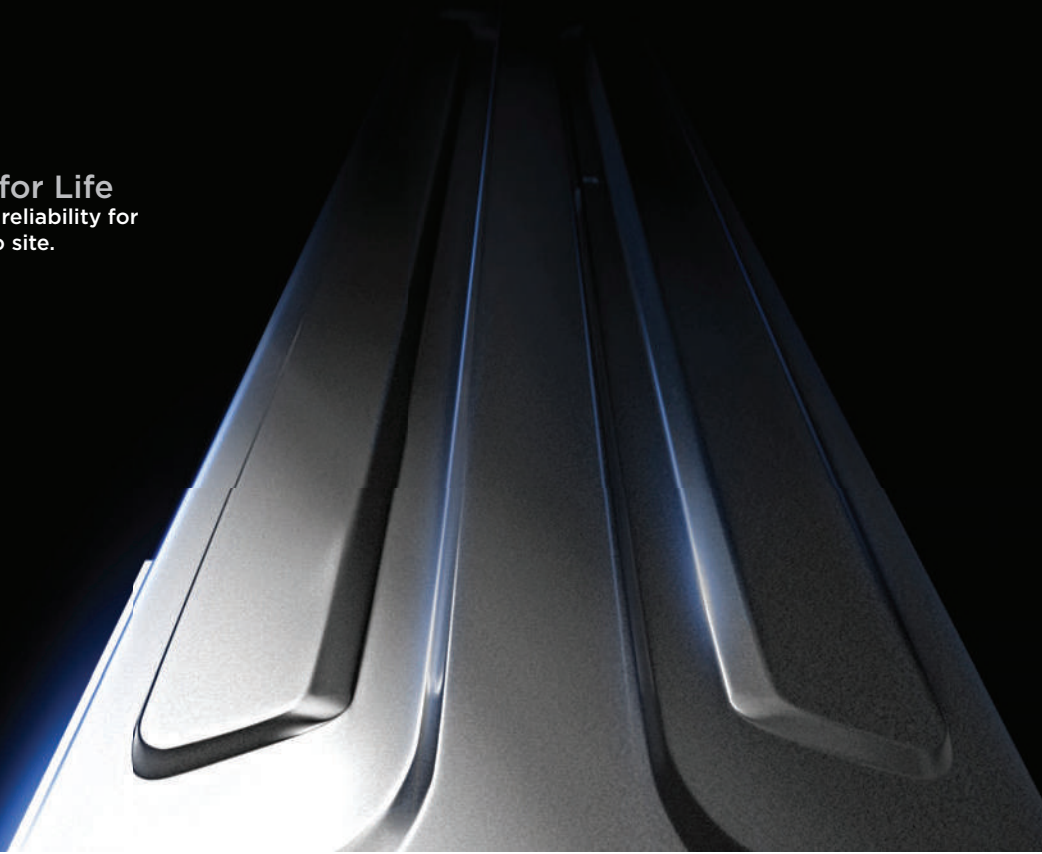


Follow Me

HIGHER RELIABILITY

Worry-Free and Guaranteed for Life

Midea's AC system offers greatly improved reliability for all weather conditions, reducing calls out to site.



45
teeth

54
teeth



High-Efficiency Tube

The increased heat exchange area improves the efficiency of heat transfer, allowing faster heating.

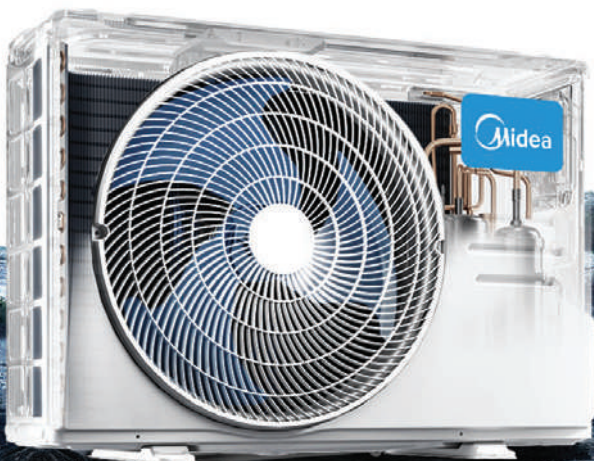


Compressor High Racer Frequency Technology

Like a runner sprinting to the line, this tech enables the compressor to achieve maximum frequency in split of the moment upon start up, providing powerful cooling once the air conditioner is on.

A HIGH STANDARD SUMMONSA GREATER CHALLENGER

Damp And Salty Areas



72-hours ammonia water test



High Stress-corrosion Resistance

Midea conducts 72-hour anti-stress-corrosion testing for core copper components, exceeding normal 4-hour testing standards by a factor of 18. Results demonstrate that Midea's copper core components perform 15 times better on average than competitors in stress-corrosion resistance.



HYPER GRAPFINS™

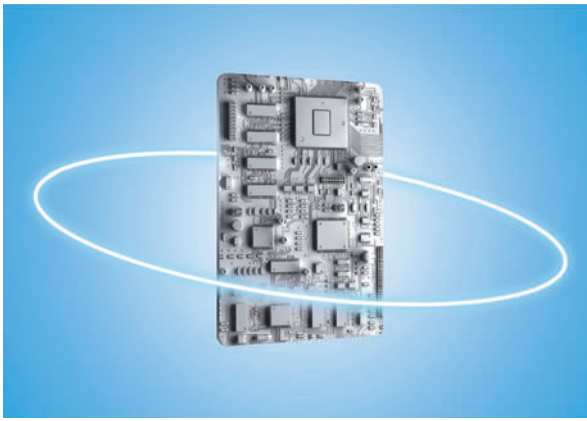
12.5X* Corrosion Resistance than Blue Coated Fins

Graphene is a single monolayer of carbon atoms, tightly bound in a hexagonal honeycomb lattice. When graphene is added to the anti-corrosion layer, the density of the layer can be improved to resist corrosion.

100-hours Salt Spray Tests

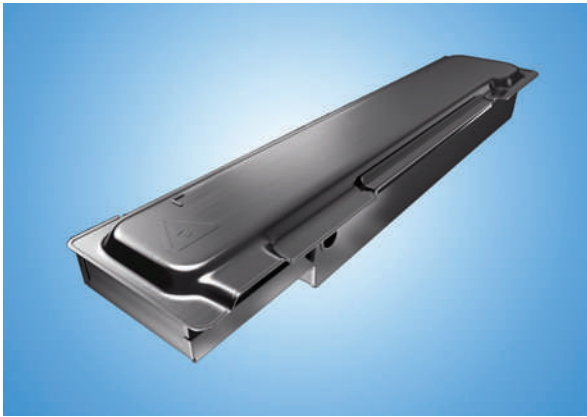
and

3000-times Wetting-drying Tests



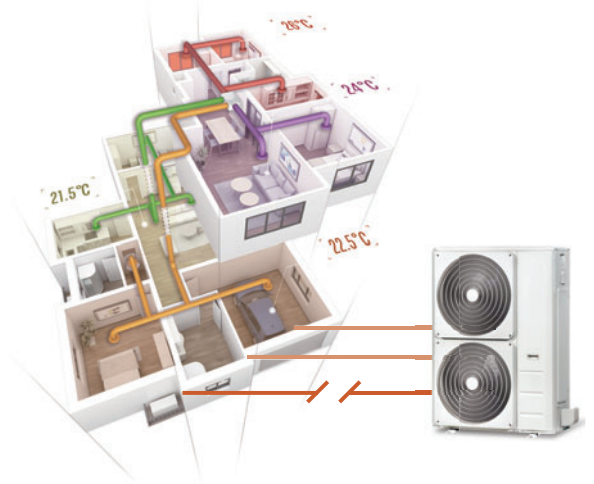
PCB Protection Design

For better protection of the PCB, using the military grade rubber resin material as coating, further enhance the PCB's resistance to acid and alkali elements (rain and humidity).



Full Surrounding Design E-box

The indoor unit E-box is fully surrounded by the flame retarding plastic & metal plate material as protection against fire, humidity or small animals.



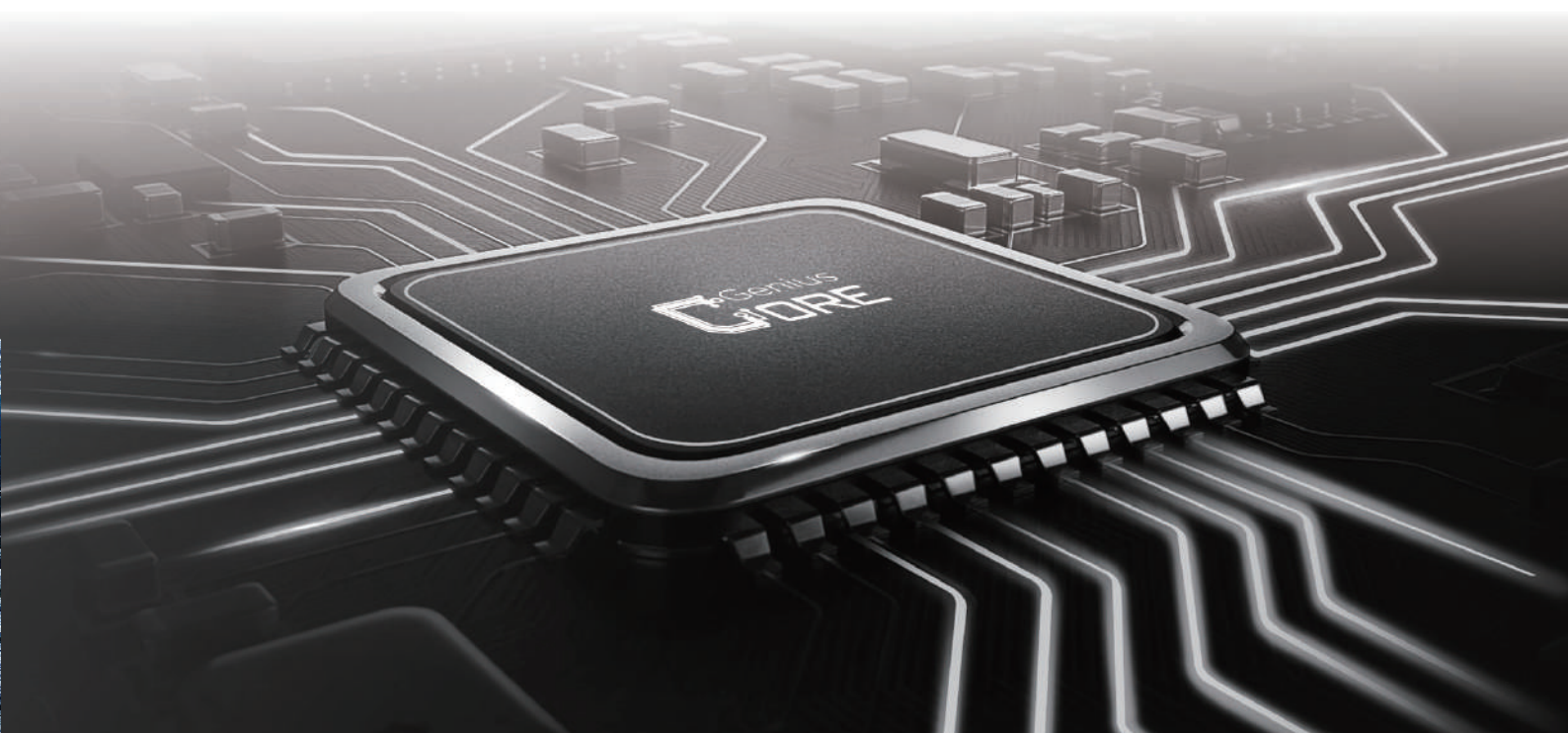
Continuous Operation of IDU (Multi split type)

Each indoor unit is controlled individually on the system network. This allows all indoor unit will continue to work even if an error might occur at any indoor unit's on the AC system.



Wide Voltage Operation Range

The Midea PCB was enhanced to increase its ability to withstand the widest voltage fluctuations from down 150v to 260v, thus ensuring your air conditioner stably running under wide voltage operations without a separate voltage stabilizer.

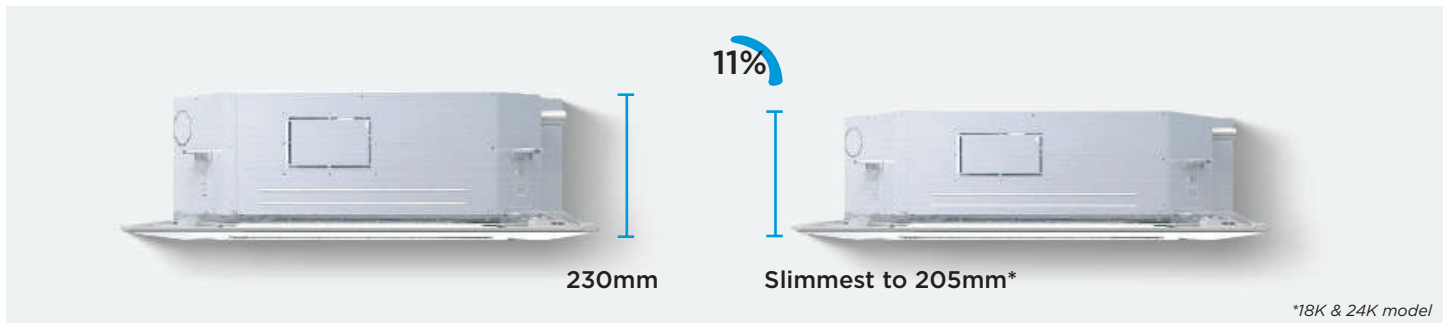


CEILING CASSETTE

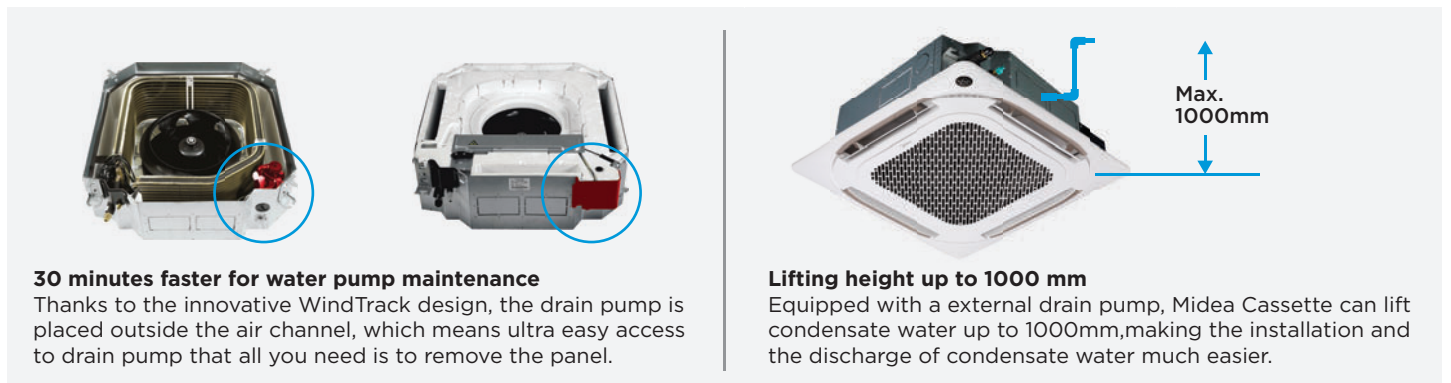


Super Slim Design

It now requires less space for installation. Midea cassette is much slimmer thanks to the redesigned heat exchanger and overall structure.

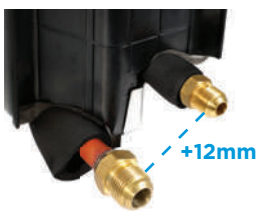


Re-structure Drain Pump



30 minutes faster for water pump maintenance
Thanks to the innovative WindTrack design, the drain pump is placed outside the air channel, which means ultra easy access to drain pump that all you need is to remove the panel.

Lifting height up to 1000 mm
Equipped with an external drain pump, Midea Cassette can lift condensate water up to 1000mm, making the installation and the discharge of condensate water much easier.



Enlarge Space For Piping

More friendly for handwork operation



User-friendly Hook Design

Curved metal hook with more ergonomic is easier to carry and uplift the machine.

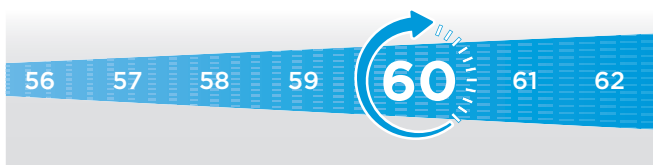
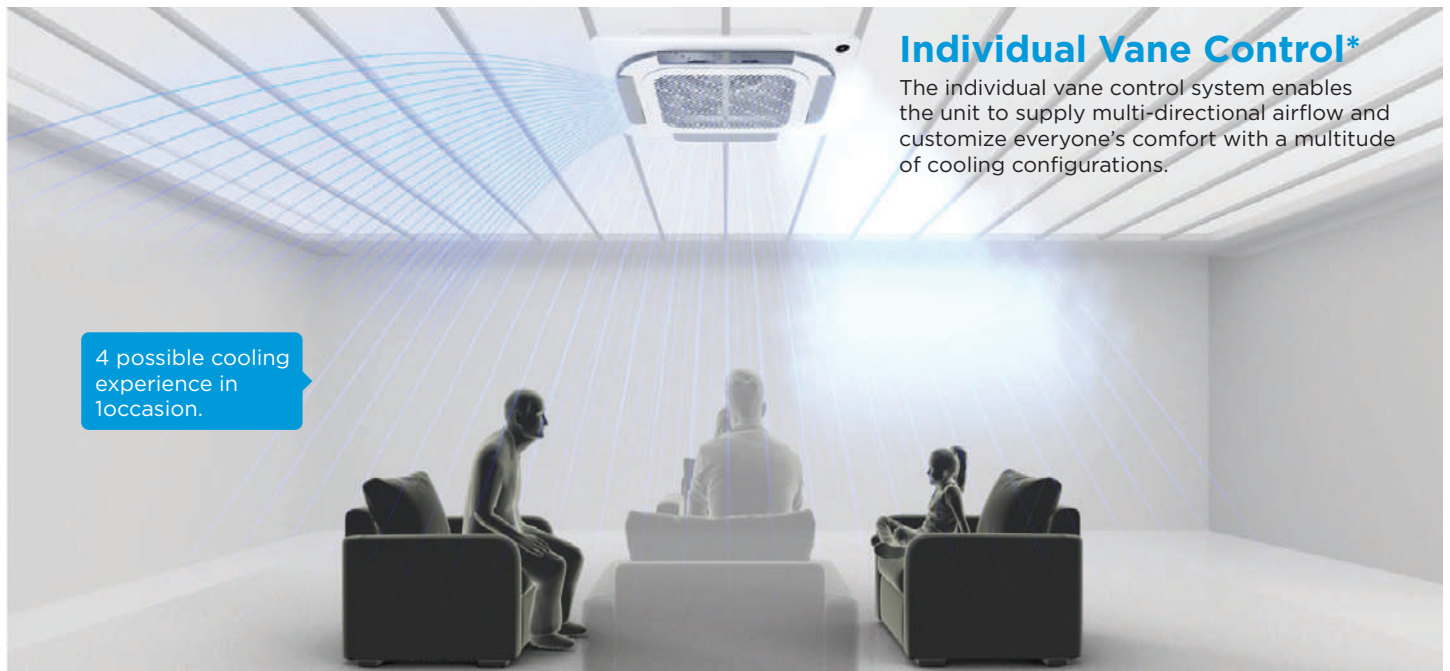


Wired Remote Controller (Optional)

REAL COMFORT WITHOUT COMPROMISE

Power Breezeless Technology*

Exclusive power breezeless wind deflector contains over 3920 micro-holes. Each hole is in hourglass-shaped to boost then disperse the air stream as it funnels through all the micro-holes are distributed in different direction and size together turning the strong blast into cool, billowing mist.



0-100% Stepless fan speed*

0-100% fan speed can be precisely controlled in 1% increments, breaking the traditional fixed fan speed.

360° Round Flow

Unique seamless airflow louver design allows cool air to diffuse and sink in 360°, offering uniform cooling experience throughout the space.



Adjustable Vane and Long Airflow

Adjustable Vane from 0° to 75° and 5.5 meters long airflow, no corner in your room is beyond its reach.



* For premium inverter series only

REAL CONVENIENCE WITHOUT HASSLE

Get rid of control trouble through wired and wireless controllers

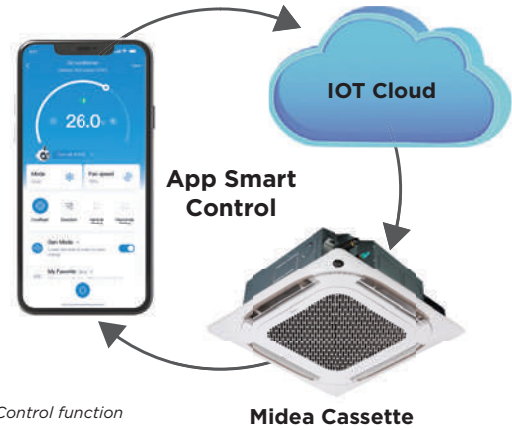
Smart Control*

Based on the cloud service under M-Smart Security Protocol, the MSmartHome app makes your life easier, smarter and more comfortable with versatile functions just in hand.



App-based Remote Control

*Only premium inverter series build-in smart kit, others must choose wired controller model with Smart Control function



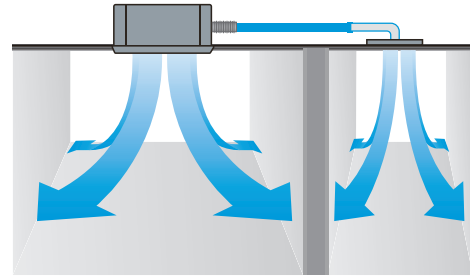
LED Display

Larger LED display design, easier to check temperature at any time.



Reserved Air Outlet For Duct

Reserves the space for air outlet from the side of indoor unit. It's available to connect air duct from side to small rooms nearby.



Wired Controller (Optional)

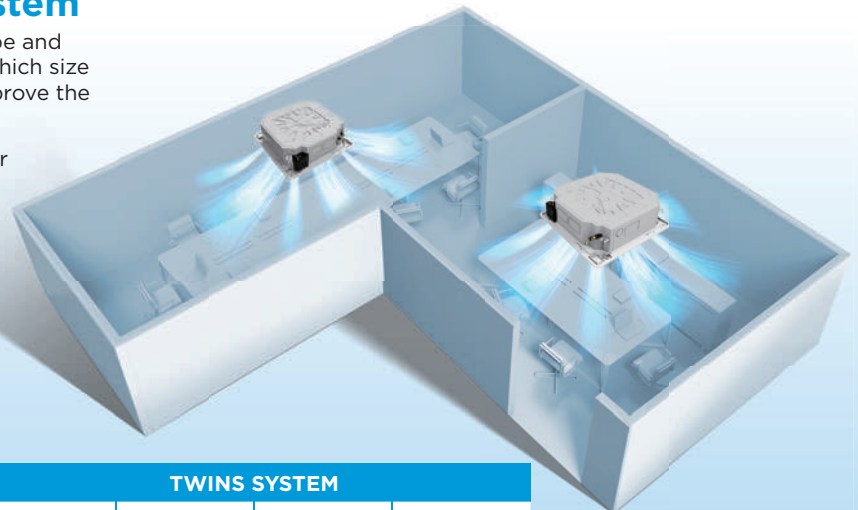
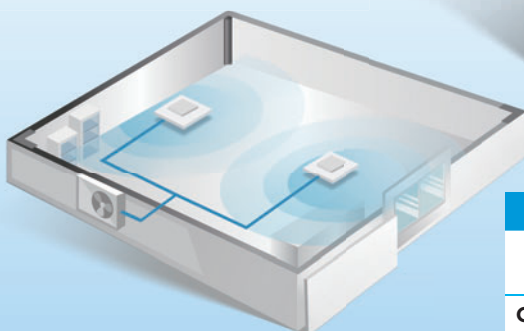
Build-in Infrared Receiver An infrared receiver is built in the wired controller. It is more convenient for users to control the AC with the wireless controller by pointing to the wired controller rather than to the AC.



Midea Twins Combination System

The units can be installed as twin system: 2 same type and size indoor units connect to only one outdoor unit which size is double of single indoor unit. This feature helps improve the air distribution of some special room.

In twin system, one indoor unit must be set as master and the other one as slave. Only the master unit can accept the control signal and the slave unit follow the settings of the master.



TWIN SYSTEM			
INDOOR UNITS	30K + 30K	24K + 24K	18K + 18K
OUTDOOR UNITS	60K	48K	36K

REAL HEALTH WITHOUT CONCERNS

Fresh Air

Outdoor air can be led into the room via a connection pipe, which keeps the indoor air fresh and healthy.



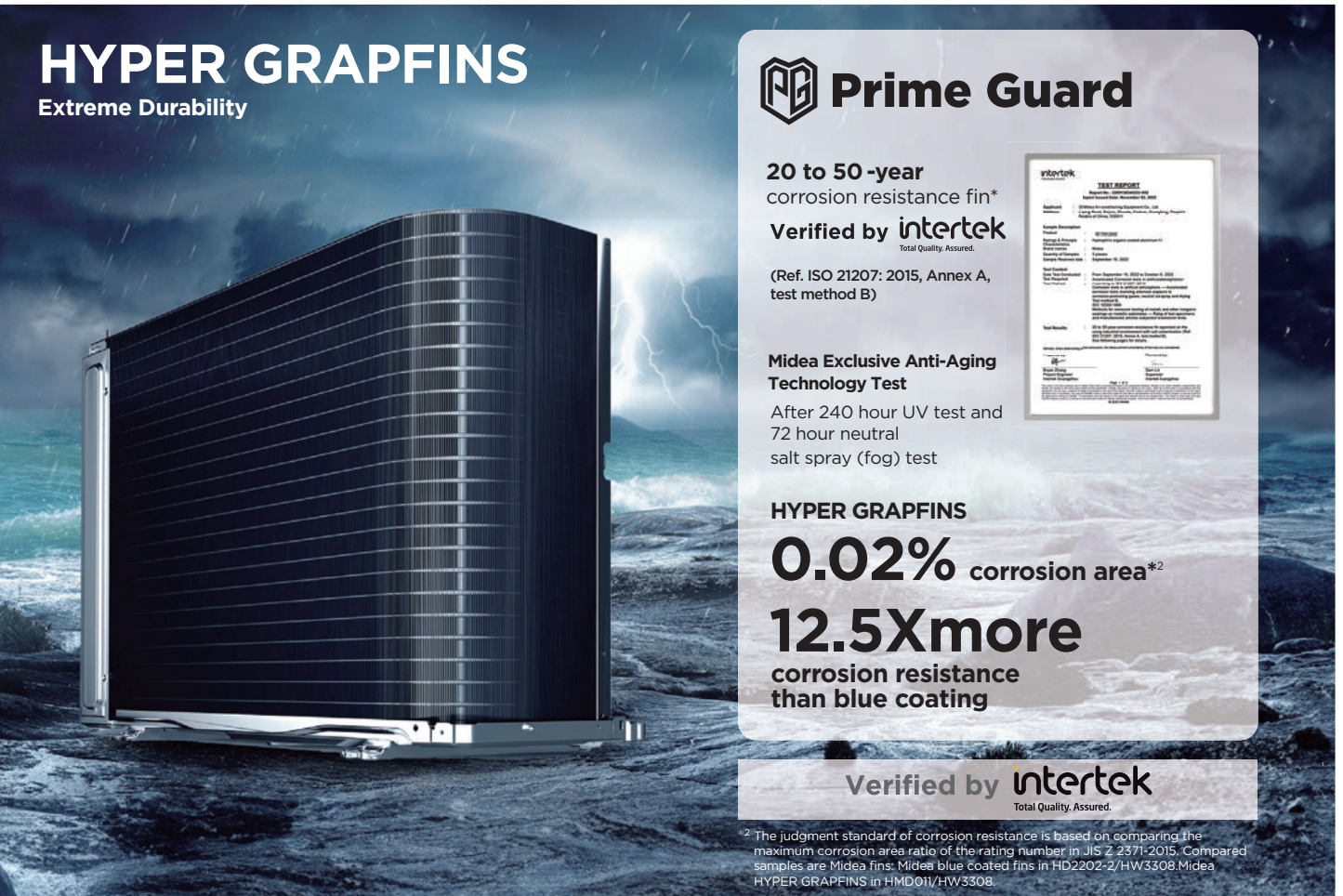
Auto Dedusting

When the AC is turned off, the fan blade of the outdoor unit will automatically rotate in reverse to get rid of the accumulated sand and dust, ensuring the AC is clean and operates well in any environment.
(For Outdoor use DC fan motor model only)

WORRY-FREE AND GUARANTEED FOR LIFE

HYPER GRAPFINS

Extreme Durability



Prime Guard

20 to 50-year corrosion resistance fin*

Verified by **intertek**
Total Quality. Assured.

(Ref. ISO 21207: 2015, Annex A, test method B)



Midea Exclusive Anti-Aging Technology Test

After 240 hour UV test and 72 hour neutral salt spray (fog) test

HYPER GRAPFINS

0.02% corrosion area*2

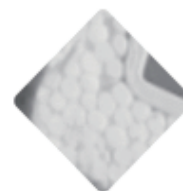
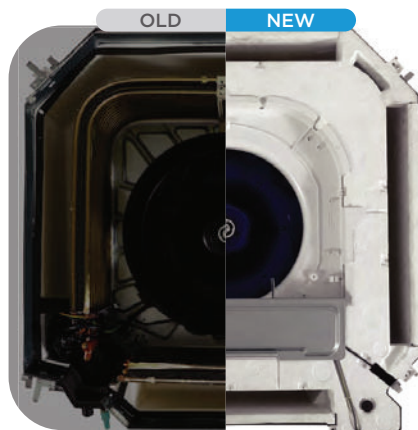
12.5X more corrosion resistance than blue coating

Verified by **intertek**
Total Quality. Assured.

*2 The judgment standard of corrosion resistance is based on comparing the maximum corrosion area ratio of the rating number in JIS Z 2371-2015. Compared samples are Midea fins: Midea blue coated fins in HD2202-2/HW3308. Midea HYPER GRAPFINS in HMD011/HW3308.

Water Tray

The water tray is specially upgraded from anti-corrosion plastic material, increased thickness and optimized structure, assuring greater durability and longer product life.



2.2mm
+120%

Due to 1.4mm ABS moulding enlargement, the durability of drainage tray will enhance to prevent damage.



SPECIFICATIONS (Ceiling Cassette Premium Inverter)



Smart Control



LED Display



Wide-angle
Air flow



Slim Design



Fresh Air



Quiet Design



Built-in
Drain Pump



Auto Restart
Function



Timer



Wired Controller
(Optional)



360° Air
Flow Panel



Golden Fin
(Evaporator)



Hyper Grapfins

Model name	Indoor model	MCX-12CRFNX	MCX-24CRFNX	MCX-24CRFNX	MCX-30CRFNX	MCX-36CRFNX	MCX-40CRFNX	MCX-42CRFNX	MCX-48CRFNX	
	Indoor panel code	COMPACT-PANEL-03AW (Breezeless Panel, Build-in Wifi)		MCX-PANEL-04AWD (Breezeless Panel, Build-in Wifi)						
	Outdoor model	MOUX-12CFN8	MOUX-18CFN8	MOUX-24CFN8	MOUX-30CFN8	MOUX-36CFN8	MOUX-40CFN8	MOUX-42CFN8	MOUX-48CFN8	
Power source	V/ph/Hz	220-240-/1/50	220-240-/1/50	220-240-/1/50	220-240-/1/50	220-240-/1/50	380-415-/3/50	220-240-/1/50	380-415-/3/50	
Cooling Capacity	Btu/h	12,000 (2,897-14,020)	18,000 (9,900-19,064)	24,000 (11,263-27,000)	30,000 (7,600-32,000)	36,000 (9,200-39,000)	36,000 (9,200-39,000)	42,000 (10,000-44,000)	48,000 (12,000-54,000)	
Power consumption-Rated (Min-Max)	W	1,010 (168-1,434)	1,633 (720-2,088)	2,320 (780-2,748)	2,750 (190-3,000)	3,950 (900-4,200)	4,000 (890-4,150)	4,200 (680-4,350)	4,650 (800-5,900)	
Running Current - Rated (Min-Max)	A	4.45(1.32-6.31)	7.2(3.2-9.2)	10.2(4.2-12)	12.0(2.0-13.0)	17.5(4.2-18.5)	6.5(1.4-6.5)	18.8(3.1-19.1)	8.1(1.8-10.2)	
CSPF	Wh/Wh	5.6	5.50	5.43	5.37	5.00	5.00	4.55	4.87	
Indoor	Air flow (H/M/L)	m ³ /h	569/485/389	1,247/1,118/992	1,247/1,118/992	1,700/1,530/1,300	1,700/1,530/1,300	1,700/1,530/1,300	1,900/1,750/1,600	1,900/1,750/1,600
		cfm	335/285/229	734/658/584	734/658/584	1000/900/765	1000/900/765	1000/900/765	1118/1029/941	1118/1029/941
	Sound pressure(H/M/L)	dB(A)	42/38.5/31.5	45.4/44/39	50/47.5/42	50.5/48/46	51/48/46	51.0/49.0/46.0	52.5/50/47.5	52.5/50.5/48
	Dimension (WxDxH)(body)	mm	570x570x245	830x830x205	830x830x205	830x830x245	830x830x245	830x830x245	830x830x287	830x830x287
	Dimension (WxDxH)(panel)	mm	620x620x50	950x950x55	950x950x55	950x950x55	950x950x55	950x950x55	950x950x55	950x950x55
	Machine Weight (Net/Gross)	Indoor (kg)	16.1/18.8	21.6/25.4	21.6/25.4	24.6/28.6	27.2/31.2	27.2/31.2	29.3/33.5	29.3/33.5
		Panel (kg)	2.7/4.3	6/9	6/9	6/9	6/9	6/9	6/9	6/9
	Design pressure	MPa	4.3/1.7	4.3/1.7	4.3/1.7	4.3/1.7	4.3/1.7	4.3/1.7	4.3/1.7	4.3/1.7
Drainage water pipe diameter	mm	ØDØ25	ØDØ25	ØDØ25	ØDØ25	ØDØ25	ØDØ25	ØDØ25	ØDØ25	
Outdoor	Outdoor air flow	m ³ /h(ctm)	2,100 (1,235)	2,200 (1,294)	3,500 (2,059)	3,800 (2,235)	4,000 (2,353)	4,000 (2,353)	4,000 (2,353)	7,500 (4,412)
	Sound pressure	dB(A)	53.6	56	60	62	63	63	63	63.5
	Dimension(W×D×H)	mm	765x303x555	805x330x554	890x342x673	946x410x810	946x410x810	946x410x810	946x410x810	952x415x1333
	Machine weight(Net/Gross)	kg	26.6/29	32.5/35.2	43.9/46.9	52.8/57.3	66.9/71.5	80.5/85	71.0/75.0	103.7/118.3
	Refrigerant charged (5m piping)	kg	R32/ 0.72	R32/1.15	R32/1.5	R32/2.0	R32/2.4	R32/2.4	R32/2.8	R32/2.9
Refrigerant piping	Liquid side/ Gas side	mm(inch)	Ø6.35/Ø9.52 (1/4"/3/8")	Ø6.35/Ø12.7 (1/4"/1/2")	Ø9.52/Ø15.9(3/8"/5/8")					
	Max. pipe length	m	25	30	50	50	75	75	75	75
	Max. difference in level	m	10	20	25	25	30	30	30	30
	Control type (Outdoor)		EXV			EXV+Throttle valve				
	Heat insulation		Both liquid and gas pipe							
Thermostat type		Wireless Remote Control, Build-in Smart control (Wired control optional)								

Remarks: 1.The above design and specifications are subject to change without prior notice for product improvement.
2.The values given in the table for the noise level reflect the levels in anechoic chamber.

SPECIFICATIONS (Ceiling Cassette Standard Inverter)



Sleep Mode



LED Display



Wide-angle Air flow



Slim Design



Fresh Air



Quiet Design



Built-in Drain Pump



Auto Restart Function



Timer



Wired Controller (Optional)



360° Air Flow Panel



Golden Fin (Evaporator)



Hyper Grapfins

Model name	Indoor model		MCCD-20CRDN8	MCCD-25CRDN8	MCCD-33CRDN8	MCCD-40CRDN8	MCCD-50CRDN8
	Indoor panel code		MCX-PANEL-04A1				
	Outdoor model		MODX-20CFN8	MODX-25CFN8	MODX-33CFN8	MODX-40CFN8	MODX-50CFN8
Power source	V/ph/Hz	220-240-1/150		220-240-1/150	220-240-1/150	380-415-3/50	380-415-3/50
Cooling Capacity	Btu/h	19,000 (5,100-20,000)		24,000 (8,300-24,700)	33,000 (18,000-34,500)	36,000 (11,000-38,000)	48,000 (12,000-49,500)
Power consumption-Rated (Min-Max)	W	1,700 (440-1,750)		2,400 (850-2,520)	3,119 (640-3,800)	3,800 (680-4,280)	5,600 (850-5,850)
Running Current - Rated (Min-Max)	A	7.5(2.0-7.7)		11.5(4.0-11.58)	13.56(2.79-16.53)	5.6(1.5-6.2)	8.6(3.8-9.0)
CSPF	Wh/Wh	5.0		5.0	4.6	4.5	4.1
Indoor	Air flow (H/M/L)	m ³ /h	1,040/760/630	1,160/870/720	1,950/1,600/1,400	1,950/1,600/1,400	1,950/1,800/1,600
		cfm	612/447/371	682/512/424	1,147/941/824	1,147/941/824	1,147/1,059/941
	Sound pressure(H/M/L)	dB(A)	40/34/31	46/39/35	53.5/50/46.5	53.5/50/46.5	53/51/48.5
	Dimension (WxDxH)(body)	mm	830x830x205	830x830x205	830x830x245	830x830x245	830x830x245
	Dimension (WxDxH)(panel)	mm	950x950x55	950x950x55	950x950x55	950x950x55	950x950x55
	Machine Weight (Net/Gross)	Indoor(kg)	22.1/26.4	21.9/26.1	26/30.5	26/30.5	27.4/31.8
		Panel(kg)	6/9	6/9	6/9	6/9	6/9
	Design pressure	MPa	4.3/1.7	4.3/1.7	4.3/1.7	4.3/1.7	4.3/1.7
	Drainage water pipe diameter	mm	ODΦ25	ODΦ25	ODΦ25	ODΦ25	ODΦ25
Outdoor	Outdoor air flow	m ³ /h(cfm)	2,700 (1,588)	3,700 (2,176)	4,800 (2,824)	4,800 (2,824)	4,800 (2,824)
	Sound pressure	dB(A)	58	56	59	59.5	62
	Dimension(W×D×H)	mm	805x330x554	890x342x673	946x410x810	946x410x810	946x410x810
	Machine weight (Net/Gross)	kg	25.8/28.4	34.6/37.7	51.5/56	58/62.5	59.1/63.3
	Refrigerant charged (5m piping)	kg	R32/0.8	R32/1.3	R32/1.7	R32/1.55	R32/2.1
Refrigerant piping	Liquid side/ Gas side	mm(inch)	Φ6.35/Φ12.7 (1/4"/1/2")			Φ9.52/Φ15.9(3/8"/5/8")	
	Max. pipe length	m	25	25	30	30	50
	Max. difference in level	m	15	15	20	20	30
	Control type (Outdoor)	Capillary Tube			Throttle valve		
	Heat insulation	Both liquid and gas pipe					
Thermostat type	Wireless Remote Control (Wired control optional)						

Remarks: 1.The above design and specifications are subject to change without prior notice for product improvement.
2.The values given in the table for the noise level reflect the levels in anechoic chamber.

SPECIFICATIONS (Ceiling Cassette Non Inverter)



Sleep Mode



LED Display



Wide-angle Air flow



Slim Design



Fresh Air



Quiet Design



Built-in Drain Pump



Auto Restart Function



Timer



Wired Controller (Optional)



360° Air Flow Panel



Golden Fin (Evaporator)



Hyper Grapfins

Model name	Indoor model		MCA3-12CRN8	MCDX-18CRN8	MCDXMY-25CRN8-SP	MCDX-30CRN8	MCDX-36CRN8	MCDX-48CRN8
	Indoor panel code		MCX-PANEL-04A1					
	Outdoor model		MOUX-12CN8	MOUX-18CN8	MOUXMY-25CN8-SP	MOUX-30CN8	MOUX-36CN8	MOUX-48CN8
Power source	V/ph/Hz	220-240-1/150		220-240-1/150	220-240-1/150	220-240-1/150	380-415-3/50	380-415-3/50
Cooling Capacity	Btu/h	12,000		18,500	25,000	31,000	36,500	48,000
Power consumption-Rated	W	1,150		1,600	2,512	3,200	3,600	4,550
Running Current - Rated	A	4.5		7	10.7	14	5.21	8.8
CSPF	Wh/Wh	3.25		3.60	3.10	3.02	3.16	3.28
Indoor	Air flow (H/M/L)	m ³ /h	810/650/530	1,200/880/730	1,300/1,000/850	1,935/1,652/1,411	1,955/1,653/1,403	1,950/1,790/1,620
		cfm	476/382/312	706/518/429	765/588/500	1,138/972/830	1,150/972/825	1,147/1,053/953
	Sound pressure(H/M/L)	dB(A)	41/37/34	44/37.5/34.5	46/40/37	53/49.5/46	53/49.5/45.5	54/52/49
	Dimension (WxDxH)(body)	mm	570x570x260	830x830x205	830x830x205	830x830x245	830x830x245	830x830x245
	Dimension (WxDxH)(panel)	mm	647x647x50	950x950x55	950x950x55	950x950x55	950x950x55	950x950x55
	Machine Weight (Net/Gross)	Indoor (kg)	16.2/19.4	22.2/26	21.9/26.4	25.7/29.8	25.8/29.9	28.0/32.1
		Panel (kg)	2.5/4.5	6/9	6/9	6/9	6/9	6/9
	Design pressure	MPa	4.3/1.7	4.3/1.7	4.3/1.7	4.3/1.7	4.3/1.7	4.3/1.7
	Drainage water pipe diameter	mm	ODΦ25	ODΦ25	ODΦ25	ODΦ25	ODΦ25	ODΦ25
Outdoor	Outdoor air flow	m ³ /h(cfm)	2,000 (1,176)	2,500 (1,471)	3,350 (1,971)	3,686 (2,168)	4,800 (2,824)	4,800 (2,824)
	Sound pressure	dB(A)	50.5	57	59	60	63	62
	Dimension(W×D×H)	mm	765x303x555	805x330x554	890x342x673	946x410x810	946x410x810	946x410x810
	Machine weight (Net/Gross)	kg	27.3/29.7	38.9/41.5	50.3/53.5	63.2/68.0	66.1/71	70.4/74.9
	Refrigerant charged (5m piping)	kg	R32/ 0.43	R32/0.72	R32/1.0	R32/1.7	R32/1.6	R32/1.9
Refrigerant piping	Liquid side/ Gas side	mm(inch)	Φ6.35/Φ9.52 (1/4"/3/8")			Φ6.35/Φ12.7 (1/4"/1/2")		Φ9.52/Φ15.9(3/8"/5/8")
	Max. pipe length	m	25	25	25	30	30	50
	Max. difference in level	m	15	15	15	20	20	30
	Control type (Outdoor)	Capillary Tube			Throttle valve			
	Heat insulation	Both liquid and gas pipe						
Thermostat type	Wireless Remote Control (Wired control optional)							

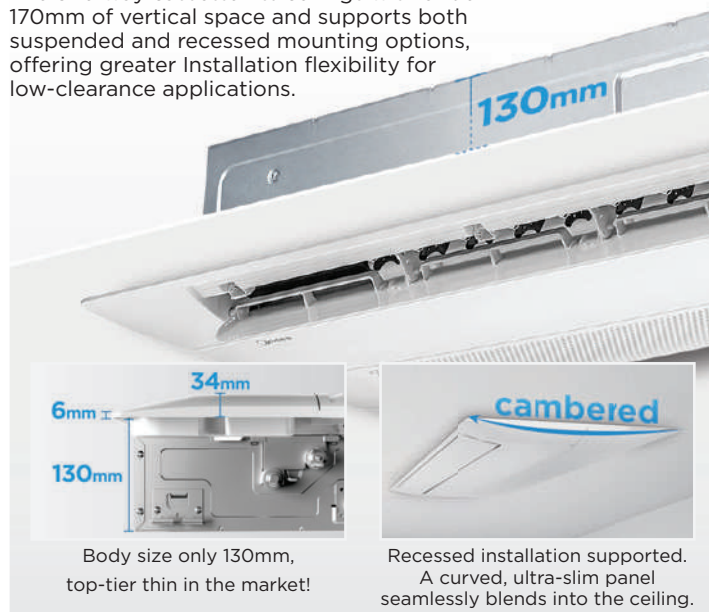
Remarks: 1.The above design and specifications are subject to change without prior notice for product improvement.
2.The values given in the table for the noise level reflect the levels in anechoic chamber.

Celest ONE-WAY CASSETTE



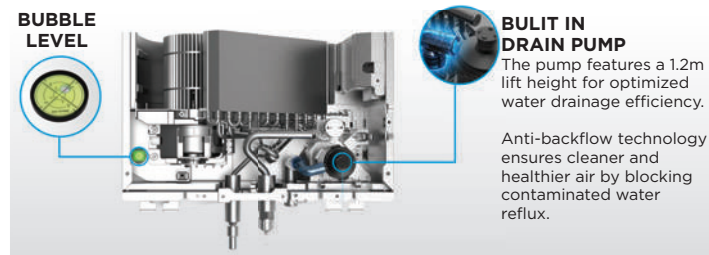
Ultra-thin Design

The one-way cassette fits ceilings with under 170mm of vertical space and supports both suspended and recessed mounting options, offering greater installation flexibility for low-clearance applications.



Designed for Easier-Than-Ever Installation Experience

The integrated bubble level ensures precise horizontal alignment.

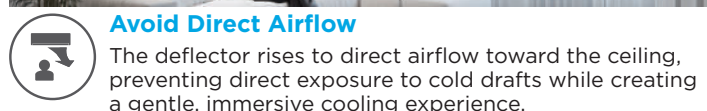
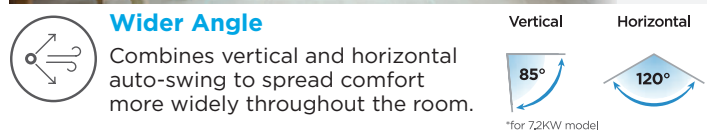
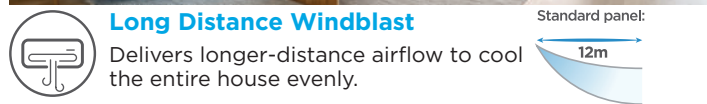
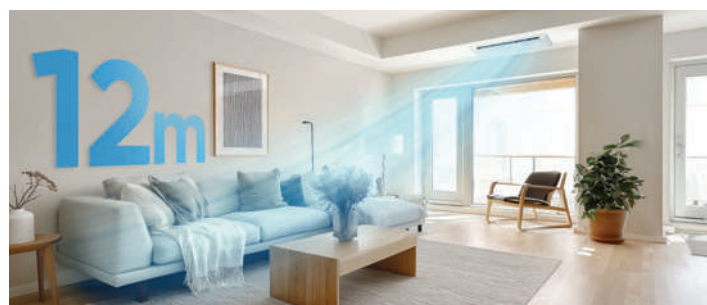


Smart Control

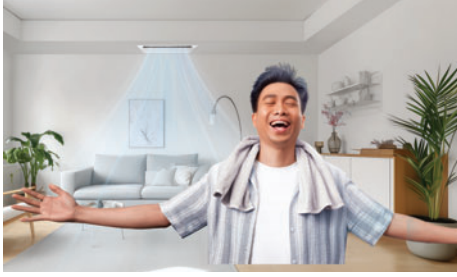
Midea One-way Cassette offers total flexibility by letting you remotely adjust settings and pre-cool your home via Smart Home app for effortless comfort.



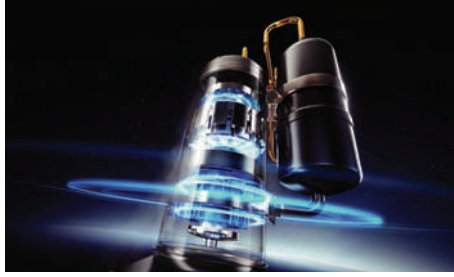
Comfortable Airflow



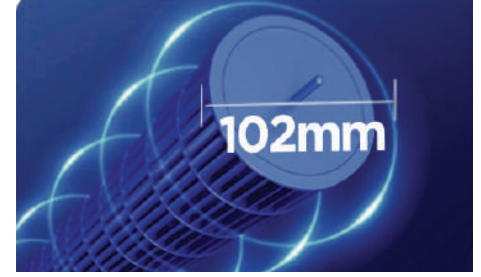
Faster & Stronger Cooling



Boost Mode
rapid cooling at one touch!



New inverter technology of fast cooling, rapidly match required frequency, blow out cool air in short time.



Big cross fan and blade match the air curve design, the unit provide big airflow, cooling down the room rapidly.



ECO Mode

The energy efficient mode intelligently optimizes cooling performance to maximize energy efficiency, automatically adjusting temperature and fan speed to reduce power consumption while maintaining comfortable cooling within 8 hours.



Easy Installation

Its ultra-thin and lightweight design allows for effortless one-person installation.



Step 1 Location **Step 2** Level Calibration **Step 3** Panel Fixing

*Images demonstrates Suspended Mount Type installation steps.



Easy Cleaning



Easy clean panel



Easy-draw filter
Easy to remove and reinstall for cleaning

SPECIFICATIONS



Ultra Thin



Easy Installation



Long Distance Widblast



Wide-angle Air Flow



Boost Mode



ECO Mode



Easy Cleaning



Smart Control



Built-in Drain Pump

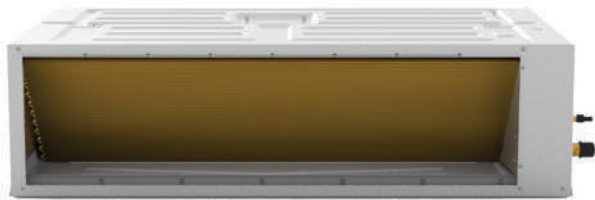


Hyper Grappins

Model name	Indoor model	MCUCE-12CRFN8-ID	MCUCE-18CRFN8-ID	MCUCE-22CRFN8-ID	
	Indoor panel code	T-MBQ1-UTA	T-MBQ1-UTB		
	Outdoor model	MOCE-12CFN8-OD	MOCE-18CFN8-OD	MOCE-25CFN8-OD	
Power source	V/ph/Hz	220-240v-/1ph/50&60Hz			
Cooling Capacity	Btu/h	12,000 (3,500-12,700)	18,000 (4,500-19,100)	22,000(7,500-23,500)	
Power consumption-Rated (Min-Max)	W	1,100(280-1,300)	1,600(350-1,900)	2,150(660-2,450)	
Running Current - Rated (Min-Max)	A	4.8(1.2-5.7)	7.2(1.6-8.3)	9.3(2.9-10.7)	
CSPF	Wh/Wh	5.05	5.63	5.05	
Indoor	Air flow (H/M/L)	m ³ /h	500/420/300	990/860/700	990/860/700
		cfm	294/247/176	582/506/412	582/506/412
	Sound pressure(H/M/L)	dB(A)	38/36/31	48/44/35	48/44/35
	Dimension (WxDxH) (body)	mm	880x450x130	1180x450x130	1180x450x130
	Dimension (WxDxH) (panel)	mm	1180x500x34	1480x500x34	1480x500x34
	Machine Weight (Net/Gross)	Indoor (kg)	14.6/18.5	17.9/22.4	17.9/22.4
		Panel (kg)	4.7/8	5.4/9.5	5.4/9.5
	Design pressure	MPa	4.3/1.7	4.3/1.7	4.3/1.7
Drainage water pipe diameter	mm	ØDØ25	ØDØ25	ØDØ25	
Outdoor	Outdoor air flow	m ³ /h(cfm)	1,800 (1,059)	2,100 (1,235)	3,700 (2,176)
	Sound pressure	dB(A)	54	56	57
	Dimension (W×D×H)	mm	720x270x495	765x303x555	890x342x673
	Machine weight (Net/Gross)	kg	18.93/20.83	25.7/28.1	35.5/38.7
	Refrigerant charged (5m piping)	kg	R32/0.4	R32/0.66	R32/1.3
Refrigerant piping	Liquid side/ Gas side	mm(inch)	Ø6.35/Ø9.52 (1/4"/3/8")	Ø6.35/Ø12.7 (1/4"/1/2")	
	Max. pipe length	m	15	25	25
	Max. difference in level	m	8	15	15
	Control type (Outdoor)		Capillary Tube	Throttle valve	
	Heat insulation		Both liquid and gas pipe		
Thermostat type		Wireless Remote Control,Built-in Smart Control (Wired control optional)			

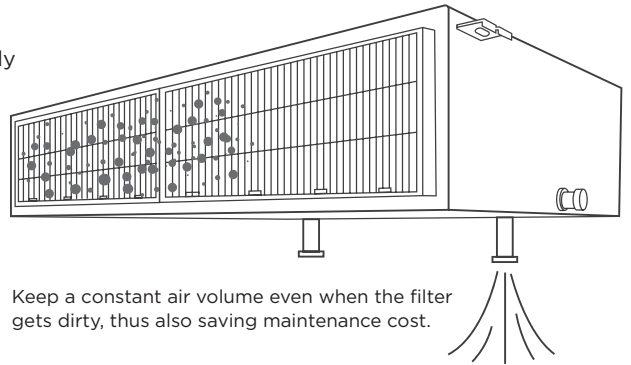
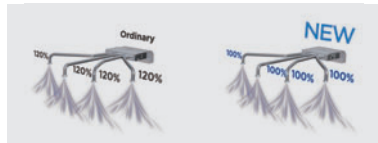
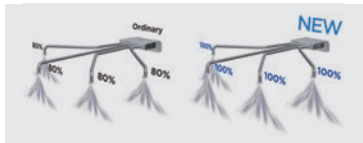
Remarks: 1.The above design and specifications are subject to change without prior notice for product improvement.
2.The values given in the table for the noise level reflect the levels in anechoic chamber.

Celest DUCTED SYSTEM



Real-Time Constant Air Volume

With Auto Airflow Match, The celest ducted system can automatically match the airflow volume to different ducting designs, resulting in installation convenience, comfortable experience and cost saving.

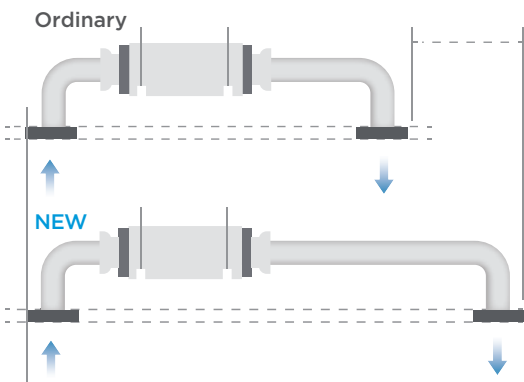


Keep a constant air volume even when the filter gets dirty, thus also saving maintenance cost.



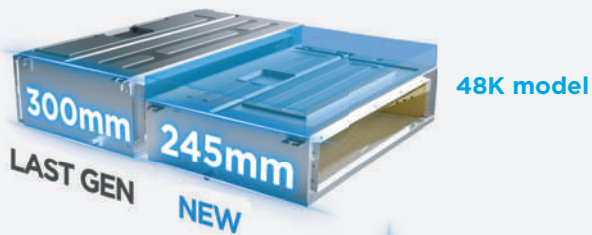
Higher Static Pressure

The maximum ESP is increased to 160Pa.

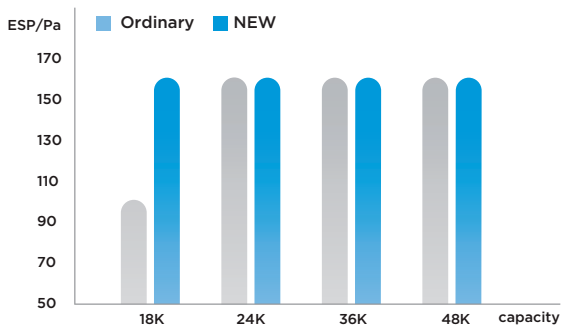


Slimmer Size

Indoor unit size



The new ducted system has a 20% reduction in volume compared to the last gen.



Possible to Install in Narrow Ceilings due to shorter length and slimmer dimensions.

Two Possible Installation Methods

*Available for 18K-55K model.



Lower Noise Level

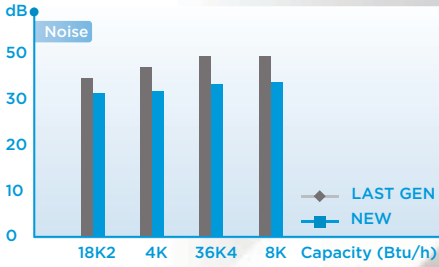
Without compromising cooling performance, the innovative eccentric fan design increases airflow while reducing fan speed, resulting in a reduction of indoor noise by up to 8 dB.

		LAST GEN	new
Indoor fan motor	Speed (Hi/Mi/Lo) (r/min)	1192/1032/864	960/870/780
Indoor air flow (Hi/Mi/Lo) (m3/h)		911/706/515	900/780/650
Indoor noise level (Hi/Mi/Lo) (dB(A))		42/39/35	34/32/30

* Data for comparison was from the 18K model.

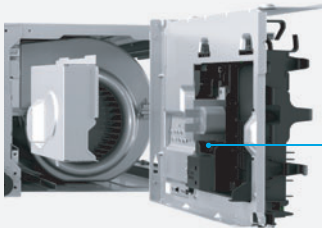
The indoor noise level of the new ducted system has been dropped by up to 13dB comparing with last gen.

*Data drawn from 18-48K model.



Upgrade of Electric Control

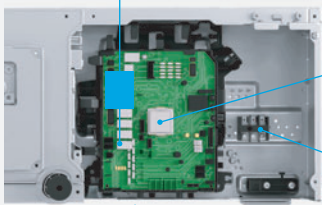
The area of the electric control box has increased by 10%, while the driver board has been reduced in size, freeing up 40% more space and simplifying maintenance.



T1 temperature sensor can be directly installed on the back of the control box without additional wiring.

Separate high voltage cable, low voltage cables and fanmotor wiring inside the PCB and control box to completely isolate them, reduce electromagnetic interference, and much easier for installation and after-sales service.

Power cable connection.



low voltage wire connection.

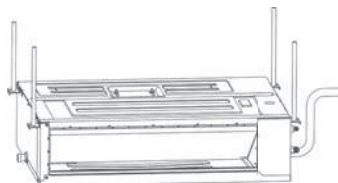
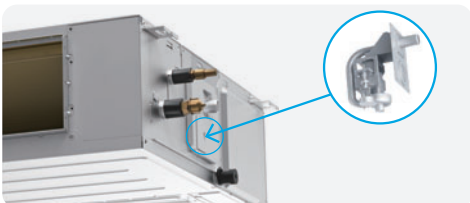
Fan motor wire connection.

Built-In Drain Pump

Higher lift is upgraded from 0.75m to 1m, increasing flexibility and installation speed.

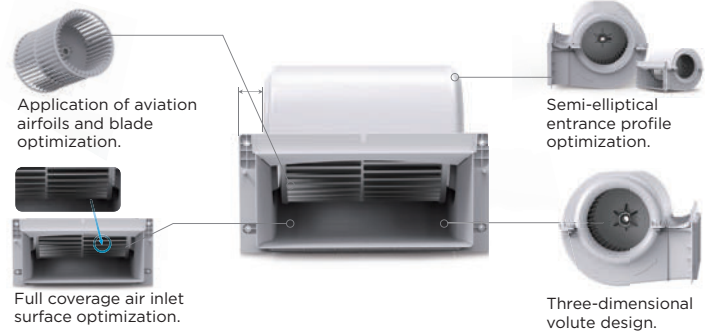
last gen	new
750mm lift	1000mm lift

*Available for 18k-55k model



Optimizations of Fan Section

Structural improvements of fan section are made to improve the efficiency of heat transfer and reduce vibration.

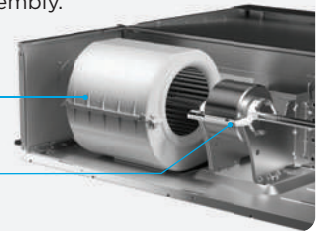


Upgrade of Fan Motor

The design of integrated motor bracket, which is three parts integrated into one part, can improve installation stability, more friendly disassembly and assembly.

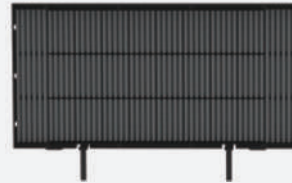
Stiffening Rib.

Integrated Motor Bracket.



Upgrade of Filters

Two types of filters are provided, clip-type or magnetic-type.



Clip-type air filter



Magnetic-type air filter (optional)

Upgrade of Drain Pump

The new ducted system provides 20% more service area than the last gen and allows drain pump and temperature sensor replacement without crossing the hole.



Water pump + pipe clamps

Intelligent Operation Solution

APP control (optional)

Enjoy remote control of your air conditioner through the Smart Home app - anytime, anywhere.



SmartHome Smart Compatible



Wired control (optional)



Stylish Appearance



3/2 In LCD Display Screen



Follow Me



Infrared Signal Receiver



Easy To Control

HYPER GRAPFINS

Extreme Durability

Prime Guard

20 to 50-year corrosion resistance fin*

Verified by **intertek**
Total Quality. Assured.

(Ref. ISO 21207: 2015, Annex A, test method B)



Midea Exclusive Anti-Aging Technology Test

After 240 hour UV test and 72 hour neutral salt spray (fog) test

HYPER GRAPFINS

0.02% corrosion area*2

12.5X more corrosion resistance than blue coating

Verified by **intertek**
Total Quality. Assured.

*2 The judgment standard of corrosion resistance is based on comparing the maximum corrosion area ratio of the rating number in JIS Z 2371-2015. Compared samples are Midea fins; Midea blue coated fins in HD2202-2/HW3308; Midea HYPER GRAPFINS in HMD011/HW3308.

SPECIFICATIONS



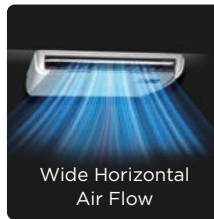
Model Name	Indoor model	MTCE-12CRFN8	MTCE-20CRFN8	MTCE-25CRFN8	MTCE-33CRFN8	MTCE-36CRFN8	MTCE-40CRFN8	MTCE-50CRFN8	MTCE-60CRFN8	
	Outdoor model	MODX-12CFN8	MODX-20CFN8	MODX-25CFN8	MODX-33CFN8	MODX-36CFN8	MODX-40CFN8	MODX-50CFN8	MODX-60CFN8	
Power source	V/ph/Hz	220-240v~/1ph/50&60Hz					380-415v~/3ph/50&60Hz			
Cooling Capacity	Btu/h	12,000(1800-13,334)	18,000(4500-19,100)	24,000(8,300-26,500)	33,000(18,000-34,500)	36,000(12,000-37,800)	36,000(11,000-38,000)	48,000(18,000-49,500)	55,000(14,000-59,000)	
Power consumption-Rated (Min-Max)	W	1,164(155-1,465)	1,750(350-2,000)	2,300(850-2,700)	2,500(640-3,800)	3,300(1,200-3,800)	3,800(680-4,280)	5,740(850-5,850)	5,950(1,030-6,650)	
Running Current - Rated (Min-Max)	A	4.77(1.3-6.47)	8.4(1.6-9.1)	11.0(3.9-12.3)	11.96(2.79-16.53)	15.8(5.5-17.3)	5.6(1.5-6.2)	9.2(3.9-26.6)	8.1(3.1-11.5)	
CSPF	Wh/Wh	5.0	5.0	5.0	4.8	4.8	4.5	4.2	5.0	
Indoor	Air flow (H/M/L)	m ³ /h	660/570/470	900/780/650	1,300/1,100/700	1,900/1,700/1,400	1,900/1,700/1,400	1,900/1,700/1,400	2,000/1,700/1,300	2,200/1,900/1,500
		cfm	388/335/276	529/459/382	765/647/412	1,118/1,000/824	1,118/1,000/824	1,118/1,000/824	1,176/1,000/765	1,294/1118/882
	ESP-Rated	Pa	25	25	25	37	37	37	50	50
	ESP-Range	Pa	0-100	0-160	0-160	0-160	0-160	0-160	0-160	0-160
	Sound pressure(H/M/L)	dB(A)	35/33/31	34/32/30	37/33/31.5	40/38.5/36.5	40/38.5/36.5	40/38.5/36.5	40.5/39/37.5	44.5/43/41.5
	Dimension (WxDxH)	mm	700x450x200	700x750x245	1000x750x245	1200x750x245	1200x750x245	1200x750x245	1200x750x245	1200x750x300
	Machine Weight (Net/Gross)	kg	16.6/19.8	24.4/28.7	31.8/38	40.3/46.5	40.3/46.5	40.3/46.5	40.7/46.7	42.9/49.1
Drainage pipe diameter	mm	ØD25	ØD25	ØD25	ØD25	ØD25	ØD25	ØD25	ØD25	
Outdoor	Outdoor air flow	m ³ /h(cfm)	2,200 (1,294)	2,700 (1,588)	3,700 (2,176)	4,800 (2,824)	4,800 (2,824)	4,800 (2,824)	4,800 (2,824)	5,600 (3,294)
	Sound pressure	dB(A)	54	58	57	59.5	59.5	59.5	60.5	64
	Dimension(WxDxH)	mm	720x270x495	805x330x554	890x342x673	946x410x810	946x410x810	946x410x810	946x410x810	980x415x975
	Machine weight (Net/Gross)	kg	18.9/20.8	25.8/28.4	34.6/37.7	51.5/56	51.5/56	59/62.5	59.1/63.3	92/107
	Refrigerant charged (5m piping)	kg	R32/0.4	R32/0.8	R32/1.3	R32/1.7	R32/1.7	R32/1.55	R32/2.1	R32/3.2
Refrigerant piping	Liquid side/ Gas side	mm(inch)	Ø6.35/Ø9.52 (1/4"/3/8")	Ø6.35/Ø12.7 (1/4"/1/2")	Ø6.35/Ø12.7 (1/4"/1/2")	Ø9.52/Ø15.9(3/8"/5/8")				
	Max. pipe length	m	25	25	25	30	30	30	50	75
	Max. difference in level	m	10	15	15	20	20	20	30	30
	Control type (Outdoor)		Capillary Tube			Throttle valve				EXV+Throttle valve
	Heat insulation		Both liquid and gas pipe							
Thermostat type		Wired Control (Wireless Remote control optional)								

Remarks: 1.The above design and specifications are subject to change without prior notice for product improvement.
2.The values given in the table for the noise level reflect the levels in anechoic chamber.

CEILING & FLOOR



- 95° Vertical Swing
- 70° Horizontal Swing
- 10m Windblast

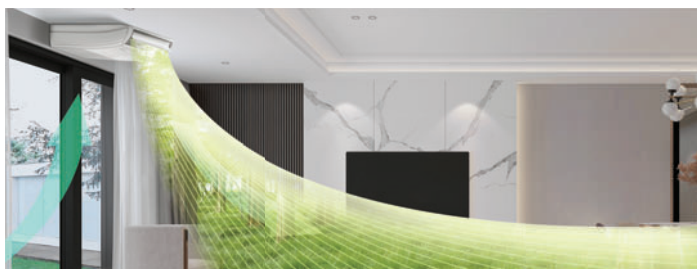
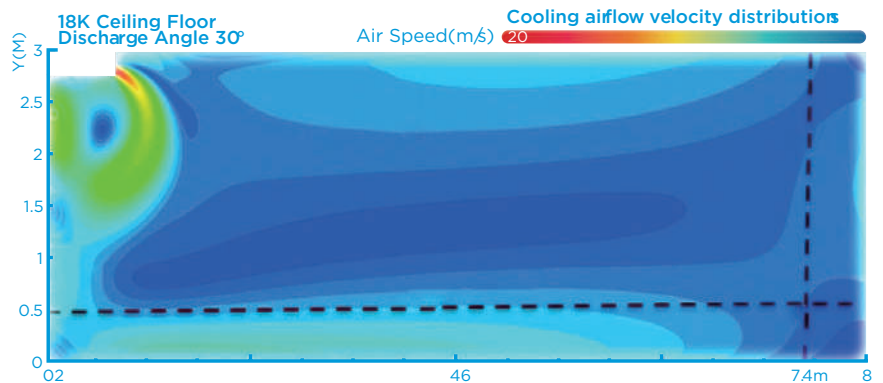


X-wind

To make the cool air reaching you everywhere in the room.

Inverter Type Indoor unit outlet air speed and coverage range

@COOLING MODE	Air flow(m ³ /h)
18K	958
24K	1192
36K	1955



FRESH AIR

People can breathe the fresh air but doesn't need to open the window by hands. A extra connection pipe can bring the freshness from Outside.

EASY INSTALLATION

Fashionable design and streamline appearance, suitable for different room styles.



3-way Pipe Out

The connection pipe can be put into the unit from bottom, side or rear, which makes installation much easier.



2-way Drainage

Both right side and left side rainage holes are available to avoid the space limitation for drainage pipe installation.

SPECIFICATIONS (Ceiling & Floor Standard Inverter)



Sleep Mode



Timer



Quiet Design



Fresh Air



2-way Draining



Auto Restart
Function



Wired Controller
(Optional)



3D Airflow



Golden Fin
(Evaporator)



Hyper Grappins

Model name	Indoor model		MUEB-20CRFN8	MUEB-25CRFN8	MUEB-33CRFN8	MUEB-40CRFN8	MUEB-50CRFN8
	Outdoor model		MODX-20CFN8	MODX-25CFN8	MODX-33CFN8	MODX-40CFN8	MODX-50CFN8
Power source	V/ph/Hz		220-240-1/50	220-240-1/50	220-240-1/50	380-415-3/50	380-415-3/50
Cooling Capacity	Btu/h		18,000 (5,100-20,000)	24,000 (8,300-24,700)	33,000 (18,000-34,500)	36,000 (11,000-38,000)	48,000 (12,000-49,500)
Power consumption-Rated (Min-Max)	W		1,550 (440-1,750)	2,350 (850-2,520)	3,119 (640-3,800)	3,800 (680-4,280)	5,862 (850-5,950)
Running Current - Rated (Min-Max)	A		6.9 (3.2-9.0)	10.2 (3.9-13.1)	12.7(4.0-13)	5.6(1.5-6.2)	8.9 (3.9-9.0)
CSPF	Wh/Wh		5.00	5.00	4.60	4.50	4.10
Indoor	Air flow (H/M/L)	m ³ /h	950/840/720	1,200/1,000/850	1,600/1,450/1,250	1,600/1,450/1,250	2,228/2,090/1,966
		cfm	559/494/424	706/588/500	941/853/735	941/853/735	1,311/1,229/1,156
	Sound pressure(H/M/L)	dB(A)	45/41.5/38	50.5/46.5/41	51/47/43	51/47/43	53/51.5/50.5
	Dimension (WxDxH)(body)	mm	1068x675x235	1068x675x235	1285x675x235	1285x675x235	1650x675x235
	Machine Weight (Net/Gross)	kg	26.7/32	28/33.2	32.0/37.5	32.0/37.5	42/49
	Design pressure	MPa	4.3/1.7	4.3/1.7	4.3/1.7	4.3/1.7	4.3/1.7
Drainage water pipe diameter	mm	ODΦ25	ODΦ25	ODΦ25	ODΦ25	ODΦ25	
Outdoor	Outdoor air flow	m ³ /h(cfm)	2,700 (1,588)	3,700 (2,176)	4,800 (2,824)	4,800 (2,824)	4,800 (2,824)
	Sound pressure	dB(A)	58	56	59	59.5	62
	Dimension(W×D×H)	mm	805x330x554	890x342x673	946x410x810	946x410x810	946x410x810
	Machine weight (Net/Gross)	kg	25.8/28.4	34.6/37.7	51.5/56	58/62.5	59.1/63.3
	Refrigerant charged (5m piping)	kg	R32/0.8	R32/1.3	R32/1.7	R32/1.55	R32/2.1
Refrigerant piping	Liquid side/ Gas side	mm(inch)	Φ6.35/Φ12.7 (1/4"/1/2")			Φ9.52/Φ15.9(3/8"/5/8")	
	Max. pipe length	m	25	25	30	30	50
	Max. difference in level	m	15	15	20	20	30
	Control type (Outdoor)		Capillary Tube		Throttle valve		
	Heat insulation		Both liquid and gas pipe				
Thermostat type		Wireless Remote Control (Wired control optional)					

Remarks: 1.The above design and specifications are subject to change without prior notice for product improvement.
2.The values given in the table for the noise level reflect the levels in anechoic chamber.

SPECIFICATIONS (Ceiling & Floor Non Inverter)



Sleep Mode



Timer



Quiet Design



Fresh Air



2-way Draining



Auto Restart
Function



Wired Controller
(Optional)



3D Airflow



Golden Fin
(Evaporator)



Hyper Grappins

Model name	Indoor model		MUEMY-25CN8-SP	MUE-36CRNX	MUE-36CRNX	MUE-48CRNX	
	Outdoor model		MOUXMY-25CN8-SP	MOUX-30CN8	MOUX-36CN8	MOUX-48CN8	
Power source	V/ph/Hz		220-240-1/50	220-240-1/50	380-415-3/50	380-415-3/50	
Cooling Capacity	Btu/h		25,000	31,000	36,000	48,000	
Power consumption-Rated	W		2,450	3,100	3,650	4,700	
Running Current - Rated	A		11	15	6.6	8.5	
CSPF	Wh/Wh		3.18	3.11	3.07	3.18	
Indoor	Air flow (H/M/L)	m ³ /h	1,295/1,058/889	1,741/1,467/1,266	1,741/1,467/1,266	2,220/1,900/1,690	
		cfm	762/622/523	1,024/863/745	1,024/863/745	1,306/1,118/994	
	Sound pressure(H/M/L)	dB(A)	51/47/43	52.5/48.5/45	52.5/48.5/45	55/49/46	
	Dimension (WxDxH)(body)	mm	1068x675x235	1285x675x235	1285x675x235	1650x675x235	
	Machine Weight (Net/Gross)	kg	25.9/31.1	29.5/34.8	29.5/34.8	39.5/45.9	
	Design pressure	MPa	4.3/1.7	4.3/1.7	4.3/1.7	4.3/1.7	
Drainage water pipe diameter	mm	ODΦ25	ODΦ25	ODΦ25	ODΦ25		
Outdoor	Outdoor air flow	m ³ /h(cfm)	3,350 (1,971)	3,686 (2,168)	4,800 (2,824)	4,800 (2,824)	
	Sound pressure	dB(A)	59	59.5	63	62	
	Dimension(W×D×H)	mm	890x342x673	946x410x810	946x410x810	946x410x810	
	Machine weight (Net/Gross)	kg	50.3/53.5	63.2/68.0	66.1/71	71.5/76.1	
	Refrigerant charged (5m piping)	kg	R32/1.0	R32/1.7	R32/1.6	R32/1.9	
Refrigerant piping	Liquid side/ Gas side	mm(inch)	Φ6.35/Φ12.7 (1/4"/1/2")			Φ9.52/Φ15.9(3/8"/5/8")	
	Max. pipe length	m	25	30	30	50	
	Max. difference in level	m	15	20	20	30	
	Control type (Outdoor)		Throttle valve				
	Heat insulation		Both liquid and gas pipe				
Thermostat type		Wireless Remote Control (Wired control optional)					

Remarks: 1.The above design and specifications are subject to change without prior notice for product improvement.
2.The values given in the table for the noise level reflect the levels in anechoic chamber.

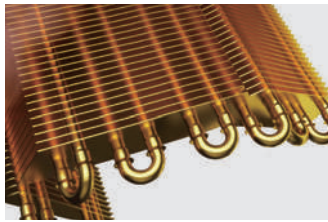
GA & PA

FLOOR STANDING



Self-Diagnosis & Auto-Protection

In the case of abnormal operation, the unit will protect the system by shutting down automatically. Meanwhile the error code enables engineers to identify the problem quickly.



Golden Coating Fin

The unique anticorrosive golden coating on the heat exchangers can withstand the salty air, rain and other corrosive elements. It also effectively prevents bacteria from breeding and improves heat efficiency.



MFGA

MFPA

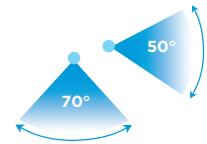


Side Air Inlet

Uniquely designed side air inlet makes this unit much more appealing.

Easy to Clean Filter

The air inlet grille and filter are easy to remove, making the cleaning process much easier.



3D Airflow

Combines vertical and horizontal auto-swing to spread comfort more widely throughout the room.

SPECIFICATIONS (Floor Standing Non Inverter)



Quiet Design



Self-diagnosis & Auto-protection



LCD Display



Auto Restart Function



Easy Cleaning Panel



Silver Ion Filter



Golden Fin (Evaporator)



Hyper Graphins

Model Name	Indoor model		MFPA-25CRN8-SP	MFGA-48CRN8
	Outdoor model		MOUXMY-25CN8-SP	MOUX-48CN8
Power source		V/ph/Hz	220-240-1/1/50	380-415-/3/50
Cooling Capacity		Btu/h	25,000	48,000
Power consumption-Rated		W	2,440	4,690
Running Current - Rated		A	10.8	8.1
CSPF		Wh/Wh	3.19	3.19
Indoor unit	Air flow (High)	m ³ /h (cfm)	950 (559)	2,260 (1,329)
	Sound pressure(H/L)	dB(A)	44/41	53/49.5
	Dimension(W*D*H)	mm	510x315x1750	610x390x1925
	Machine Weight (Net/Gross)	Kg	35.7/42	58.3/75.8
Outdoor unit	Sound pressure	dB(A)	57	63.5
	Dimension(W*D*H)	mm	890x342x673	946x410x810
	Machine weight	kg	50.3/53.5	70.4/74.9
	Refrigerant charged (5m piping)	kg	R32/1.0	R32/1.9
Refrigerant piping	Liquid side/ Gas side	mm(inch)	Φ6.35/Φ12.7 (1/4"/1/2")	Φ9.52/Φ15.9(3/8"/5/8")
	Max. pipe length	m	25	50
	Max. difference in level	m	15	30
	Control type (Outdoor)			Throttle valve
Heat insulation			Both liquid and gas pipe	
Thermostat type			Wireless Remote Control	

Remarks: 1.The above design and specifications are subject to change without prior notice for product improvement.
2.The values given in the table for the noise level reflect the levels in anechoic chamber.

LL EasyComfort

FLOOR STANDING

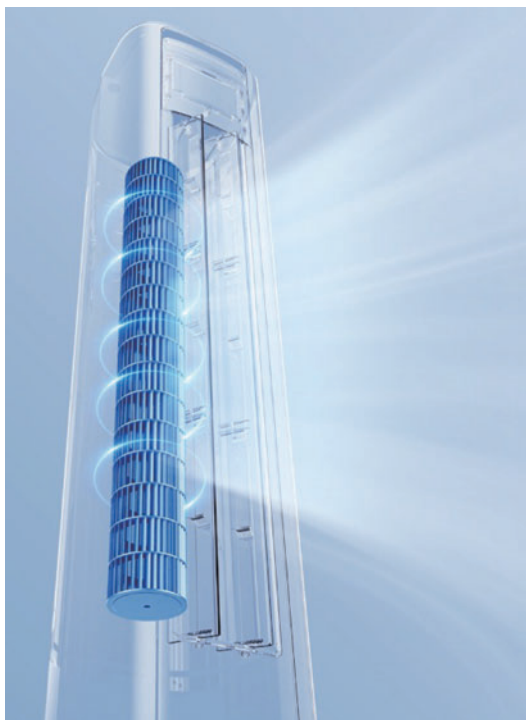


POWERFUL COOLING FOR LARGER SPACE

Faster Comfort

With the embedded inverter compressor that enables high operation speeds instantly, the speed of whole-room cooling and heating could be faster than a traditional split AC system.

	25K	35K
Cooling Capacity (Btu/h)	25,000	35,000
Airflow Volume (m ³ /h)	1419	1500
Wheel Width (mm)	126	
Air Outlet Width (mm)	150	
Airflow Angle (Vertical/Horizontal)	110°/85°	
Airflow Distance (m)	9.5	



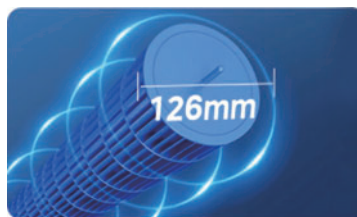
Super Wide Curved Air Inlet

More air intake and efficient heat exchange



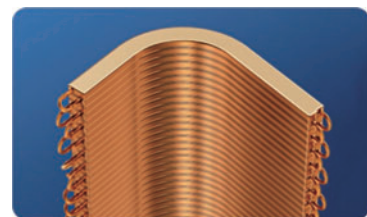
Larger Air Duct System

Extended passage but less loss



Bigger Wheel

Generate stronger air volume



L-shaped L-shaped Curvy Evaporator

Exchange heat more efficiently

WIDER ANGLE, FURTHER BLOW, BETTER CONFORT

85°
Horizontal

110°
Vertical

110° Vertical Swing
(Split AC: 60°)

85° Horizontal Swing
(Split AC: 80°)

1500m³/Airflow Volume*
(Split AC: 665m³/h)

*Based on the 34K model

9.5m Airflow Distance
(Split AC: 8m)

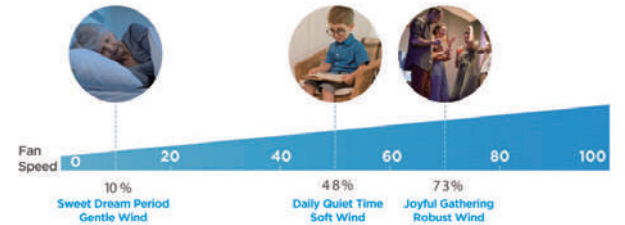
Wind Avoid Me Comfort Amaze Me

Enter the "Avoid Me" mode through the remote control, and the AC deflector will rise to guide the wind blow to the ceiling, preventing the cold wind blowing directly to people and creating a more immersive gentle cooling experience for the space.



100-Gear Fan Speed Control

The fan speed can be precisely controlled in 1% increments, meeting various needs of the whole family in different scenarios. You can conveniently set your desired fan speed and volume via SmartHome app or remote controller.

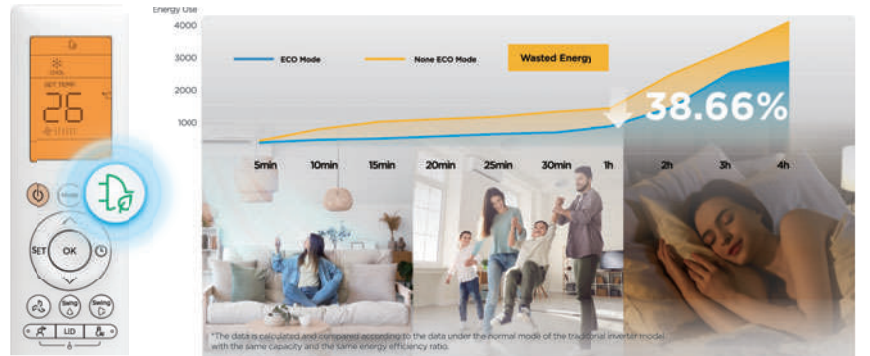


INVERTER SAVES 38.66%

Midea inverter floor standing provides wide frequency range, it can dynamically adjust compressor speed to boost faster cooling, maintain more precise temperature control, and hit maximum energy savings, so consumers can stay cool and comfortable on budget.

- ECO Mode**
Saves extra 38.6% in one click when activating the mode
- Visible Energy Monitor**
Monitor power consumption at one glance
- WiFi Support**
Wireless Support

World's No. 1 Inverter



VISIBLE SAVING MANAGEMENT

Energy Report

Energy Reminder

Energy Report

Through the Smart Home APP, you can monitor the daily, weekly, and monthly usage duration and power consumption of the air conditioner.

Set a monthly electricity consumption target, and you will be notified once the consumption reaches a percentage of the set target.

Regular reports can be generated to show power usage and comparisons with the previous month.

HYPER GRAPFINS

Extreme Durability



Prime Guard

20 to 50-year corrosion resistance fin*

Verified by **intertek**
Total Quality. Assured.

(Ref. ISO 21207: 2015, Annex A, test method B)

Midea Exclusive Anti-Aging Technology Test

After 240 hour UV test and 72 hour neutral salt spray (fog) test

HYPER GRAPFIN
0.02% corrosion area*

12.5Xmore corrosion resistance than blue coating



Auto Dedusting

When the AC is turned off, the fan blade of the outdoor unit will automatically rotate in reverse to get rid of the accumulated sand and dust, ensuring the AC is clean and operates well in any environment.
(For Outdoor use DC fan motor model only)



I-CLEAN

AC self-cleaning: Reclean the AC, Refresh your breath.

Midea Inverter AC has been upgraded from water washing (20 mins) to frost cleaning (42 mins), which can remove more dust and bacteria, keeping the AC clean and performing well.



1

Condensed Water

Cooling mode & Mid-speed wind.



2

Frosting

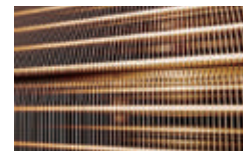
The temperature cools rapidly and frost forms on the evaporator surface.



3

Washing

Defrost into water to remove dust and dirt.



4

Drying

Dry the evaporator to prevent mold growth (≤ 20min).

SPECIFICATIONS (EasyComfort Floor Standing)



Whole-room Cooling



Long Distance Wind Blast



High Air Volume Supply



100-gears Wind Speed



3D Airflow



ECO Save



Smart Control



I-Clean



Easy Installation



Golden Coating (Evaporator)



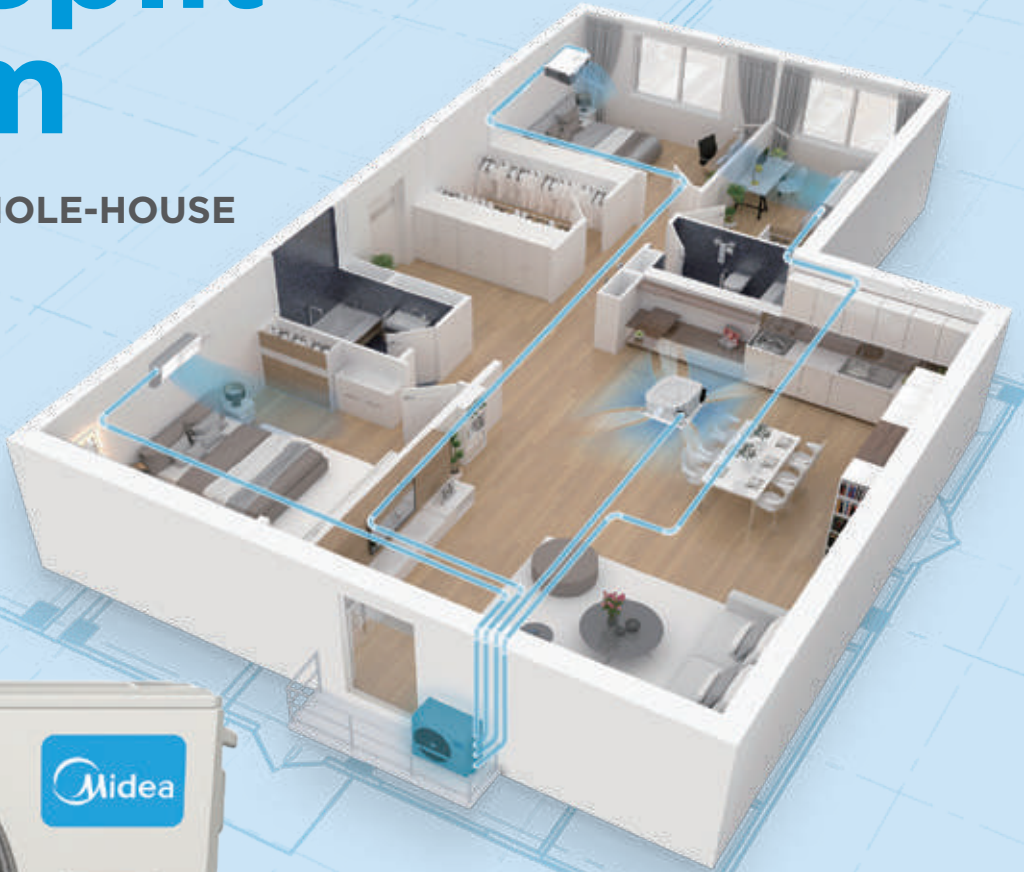
Hyper Grapfins

TYPE		Inverter		
Model name	Indoor model	MFKS-25CRFN8-ID	MFKS-35CRFN8-ID	
	Outdoor model	MFKS-25CRFN8-OD	MFKS-35CRFN8-OD	
Power source	V/ph/Hz	220-240-/1/50	220-240-/1/50	
Cooling Capacity	Btu/h	25,000 (1,705-26,530)	35,000 (6,380-37,412)	
Power consumption-Rated	W	2,480 (175-2,975)	3,450 (352-3,999)	
Running Current - Rated	A	11.4 (1.6-13.6)	15.2 (2.8-17.73)	
CSPF	Wh/Wh	5	5	
Indoor unit	Air flow (H/M/L)	m ³ /h	1,400/1,150/1,040	1,500/1,250/1,080
		cfm	824/676/612	882/735/635
	Sound pressure(H/M/L)	dB(A)	49/43/41	49/44/41
	Dimension(W*D*H)	mm	380x392x1802	380x392x1802
Machine Weight (Net/Gross)	Kg	25.7/33.4	25.7/33.4	
Outdoor unit	Outdoor air flow	m ³ /h(cfm)	2,500 (1,471)	3,800 (2,235)
	Sound pressure	dB(A)	60	61
	Dimension(W*D*H)	mm	805x330x554	946x410x810
	Machine Weight (Net/Gross)	kg	28.0/30.5	51.9/56.0
	Refrigerant charged(5m piping)	kg	R32/0.73	R32/1.40
Refrigerant piping	Liquid side/ Gas side	mm(inch)	Φ6.35/Φ12.7 (1/4"/1/2")	
	Max. pipe length	m	25	30
	Max. difference in level	m	15	20
	Control type (Outdoor)		EXV	EXV
	Heat insulation		Both liquid and gas pipe	
Thermostat type		Wireless Remote Control, Build-in Smart control		

Remarks: 1.The above design and specifications are subject to change without prior notice for product improvement.
2.The values given in the table for the noise level reflect the levels in anechoic chamber.

Multi Split System

MY AFFORDABLE WHOLE-HOUSE COOLING SOLUTION



Space Saving



Energy Saving



Cost Saving



Individual Control



Multiple Units



Smart Control



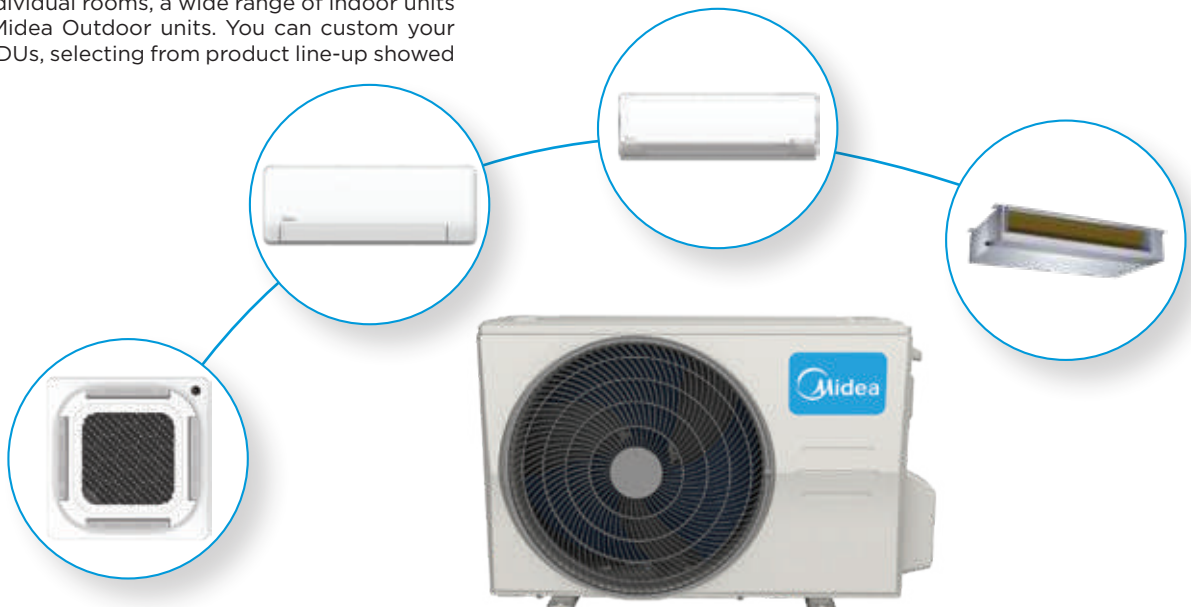
Easy Installation
& Maintenance



Reliability

Between Indoor Units Various Combinations

Depending on your individual rooms, a wide range of indoor units are compatible with Midea Outdoor units. You can custom your whole-house cooling IDUs, selecting from product line-up showed as following.



Space Saving

Midea Multi-split saves installation space for outdoor units. It solves the cooling problems of multiple rooms with small space, since it's easier to place the outdoor unit in balcony or just outside the room. The whole space goes to be concise and aesthetic.

248%

Midea Multi-split unit saves up to 248% installation space of outdoor unit



Apartments



CBD offices



Countryside houses



(*Data applied to 42K Multi-split ODU and 12K Single-split ODU)

Energy Saving

Inverter Quattro™

The Inverter Quattro™ technology can save up to 30% energy consumption and create the best sense of comfort. It enables the chip to accurately instruct the inverter compressor and BLDC fan motors of all indoor units for best overall performance. This technology realizes in-time signals receiving, accurate data processing, anticipating and prompt transmission of instructions to whole unit.

Save up to

30%

energy consumption



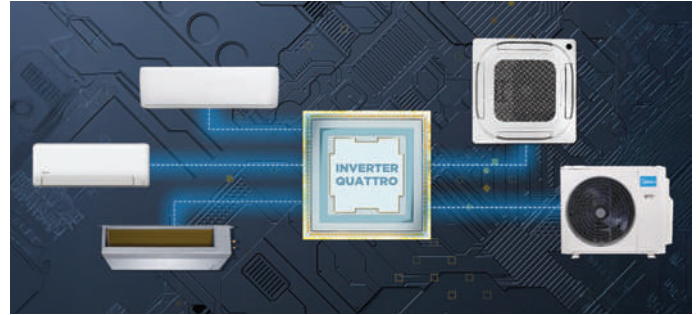
Signal Receiving



Data Processing



Instruction Transmitting



Cost Saving

Reduce the cost of product and installation

The initial cost of cooling device must be taken into serious consideration, especially for multiple rooms. When meeting the same needs, the cost of Midea Multi Split is lower than the cost of a Single Split.

The fee of installation could be higher if multiple rooms are simultaneously equipped with single-split units. Midea Multi Split offers a series of easy-to-install technologies for ONE ODU installation, which can further decrease the initial cost of family decision.

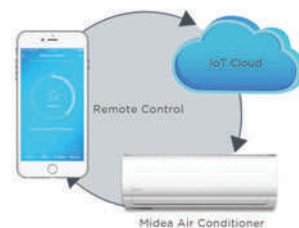
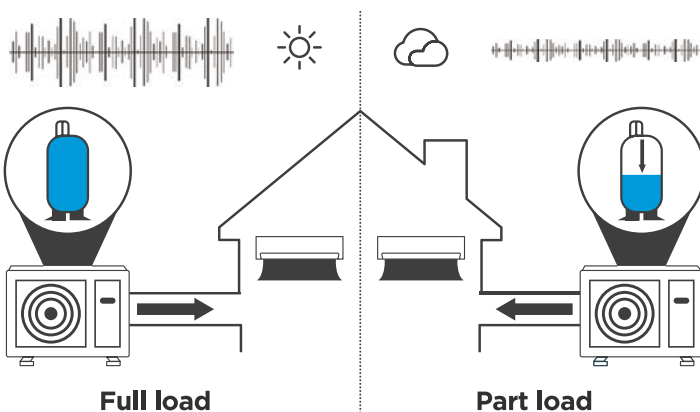
Individual Control

Provide individual control for each indoor unit, brings desired comfort and saves energy, since you can heat or cool only those rooms you are using versus the entire house.



Low Noise

When ambient temperature is low or during the night time, the air conditioner are much quieter during its operation, since they will automatically lower the frequency of inverter compressor as well as the DC fan motor speed. And with less outdoor units, the outdoor noise is also much lower.



App-based Remote Control

Based on the cloud service under M-Smart Security Protocol, the MideaAIR app makes your home life easier, smarter and more comfortable with versatile functions just in hand. Discover the MideaAIR to get your home life connected.



Central Control

Batched control of up to 8 indoor units. The temperature, airflow volume, and the remote control prohibition settings of all indoor units can be batched.

Wired Controller



Remote Control



Multiple Connect



Flexible Operation

CENTRALIZED CONTROLLER



CCM30

Control up to 64 IDUs
Control 1 IDU independently
Control all IDUs synchronously



CCM-180A/WS

Control up to 64 IDUs
Control 1 IDU independently
Control all IDUs synchronously
Control by group

WIRED CONTROLLER



LITE

Easier Control the Functions You Need

KJR-120K

Connected via display board (5-core cable)
Function:
LCD Display
Infrared signal receiver
Follow me
Timer ON/OFF
Auto restart



EXTRA

Flexible Control of Professional Functions

KJR-120M

Connected via PCB (4-core cable)
Function:
WIFI integrated in controller
LCD Display
Infrared signal receiver
Follow me
Timer ON/OFF
Weekly timer
Individual vane control
Auto restart

SPECIFICATIONS

MULTI SPLIT INDOOR

Fairy Series Wall Mounted



Indoor Model		MSAFBU-07HRFNX	MSAFBU-09HRFNX	MSAFBU-12HRFNX	MSAFBU-18HRFNX	MSAFBU-24HRFNX	
Power source	V/ph/Hz	220-240-/1/50	220-240-/1/50	220-240-/1/50	220-240-/1/50	220-240-/1/50	
Cooling Capacity	Btu/h	7,000 (3,150-8,750)	9,000 (4,050-11,250)	12,000 (5,400-14,250)	18,000 (11,700-20,700)	24,000 (15,600-27,600)	
Power consumption-Rated	W	20	20	20	34	62	
Running Current - Rated	A	0.09	0.09	0.09	0.15	0.28	
Indoor air flow (H/M/L)	m ³ /h	520/460/340	520/460/340	600/500/360	840/680/540	980/817/662	
	cfm	306/271/200	306/271/200	353/294/212	494/400/318	576/481/389	
Indoor sound pressure level(Hi/Mi/Lo)	dB(A)	40/30/26/21	40/30/26/21	40/34/26/22	44/37/30/25	44.5/42/34.5/28	
Indoor unit	Dimension(W*D*H)	mm	805x194x285	805x194x285	805x194x285	957x213x302	1040x220x327
	Packing (W*D*H)	mm	870x270x360	870x270x360	870x270x360	1035x295x380	1120x405x310
	Net/Gross weight	Kg	7.5/9.7	7.5/9.7	7.5/9.7	10/13	12.3/15.8
	Liquid side/ Gas side	mm(inch)	Φ6.35(1/4")/Φ9.52(3/8")	Φ6.35(1/4")/Φ9.52(3/8")	Φ6.35(1/4")/Φ9.52(3/8")	Φ6.35(1/4")/Φ12.7(1/2")	Φ9.52(3/8")/Φ15.9(5/8")
Thermostat type		Wireless Remote Control (Smart control optional)					

SPECIFICATIONS

MULTI SPLIT INDOOR

Avigator Series Wall Mounted



Indoor Model		MSAI-10CRFN8-ID	MSAI-13CRFN8-ID	MSAI-19CRFN8-ID	MSAI-25CRFN8-ID	
Power source	V/ph/Hz	220-240v-/1ph/50&60Hz				
Cooling Capacity	Btu/h	9,500 (3,036-13,136)	12,500 (2,798-14,876)	18,500 (2,800-19,970)	24,500 (8,220-25,200)	
Power consumption-Rated	W	30	30	35	58	
Running Current - Rated	A	0.13	0.13	0.15	0.25	
Indoor air flow (H/M/L)	m ³ /h	625/450/370	625/450/370	895/740/650	1,190/890/740	
	cfm	368/265/218	368/265/218	526/435/382	700/524/435	
Indoor sound pressure level(Hi/Mi/Lo)	dB(A)	37.5/30/27.5	38/31.5/29	44/37.5/34	47/40/37.5	
Indoor unit	Dimension(W*D*H)	mm	813x201x289	813x201x289	975x218x308	1055x231x330
	Packing (W*D*H)	mm	870x270x365	870x270x365	1035x295x385	1130x405x310
	Net/Gross weight	Kg	8.5/10.8	8.5/10.8	10.9/14.4	13.1/17.1
	Liquid side/ Gas side	mm(inch)	Φ6.35(1/4")/Φ9.52(3/8")	Φ6.35(1/4")/Φ9.52(3/8")	Φ6.35(1/4")/Φ12.7(1/2")	Φ6.35(1/4")/Φ12.7(1/2")
Thermostat type		Wireless Remote Control, Build-in Smart control (Wired control optional)				

SPECIFICATIONS

MULTI SPLIT INDOOR

Ceiling Cassette



Indoor Model		MCX-12CRFNX	MCX-24CRFNX
Indoor panel code		COMPACT-PANEL-03AW (Breezeless, Build-in Wifi)	MCX-PANEL-04AWD (Breezeless, Build-in Wifi)
Power source	V/ph/Hz	220-240-/1/50	220-240-/1/50
Cooling Capacity	Btu/h	12,000 (2,897-14,020)	24,000 (11,263-27,000)
Power consumption-Rated	W	45	45
Running Current - Rated	A	0.2	0.2
Air flow (H/M/L)	m ³ /h	569/485/389	1,247/1,118/992
	cfm	335/285/229	734/658/584
Indoor sound pressure level	dB(A)	42/38.5/31.5	45.4/44/39
Indoor unit	Dimension (W x Dx H)(body)	mm	570x570x245
	Dimension (W x Dx H)(panel)	mm	620x620x50
	Net/Gross weight(body)	kg	16.1/18.8
	Net/Gross weight(panel)	kg	2.7/4.3
Design pressure	MPa	4.3/1.7	4.3/1.7
Drainage water pipe dia.	mm	ØDØ25	ØDØ25
Refrigerant piping	Liquid side/ Gas side	mm	Φ6.35/Φ9.52(1/4"/3/8")
Controller		Wireless Remote Control, Smart control (build in Panel) (Wired control optional)	

Remarks: 1.The above design and specifications are subject to change without prior notice for product improvement.
2.The values given in the table for the noise level reflect the levels in hemi-anechoic rooms.

SPECIFICATIONS

MULTI SPLIT INDOOR

Ceiling Concealed



Indoor Model			MTCE-12CRFN8	MTCE-20CRFN8	MTCE-25CRFN8
Power source	V/ph/Hz		220-240-/1/50	220-240-/1/50	220-240-/1/50
Cooling Capacity	Btu/h		12,000(1800-13,334)	18,000(4500-19,100)	24,000(8,300-26,500)
Power consumption-Rated	W		81	81	165
Running Current - Rated	A		0.35	0.35	0.64
Air flow (H/M/L)	m ³ /h		660/570/470	900/780/650	1,300/1,100/700
	cfm		388/335/276	529/459/382	765/647/412
ESP	Rated	Pa	25	25	25
	Range	Pa	0-100	0-160	0-160
Indoor sound pressure level (Hi)	dB(A)		35/33/31	34/32/30	37/33/31.5
Indoor unit	Dimension(W*D*H)	mm	700x450x200	700x750x245	1000x750x245
	Packing (W*D*H)	mm	860x540x285	925x850x298	1225x860x304
	Net/Gross weight	Kg	16.6/19.8	24.4/28.7	31.8/38
Design pressure	MPa		4.3/1.7	4.3/1.7	4.3/1.7
Drainage water pipe dia.	mm		ØDØ25	ØDØ25	ØDØ25
Refrigerant piping	Liquid side/ Gas side	mm(inch)	Ø6.35/Ø9.52(1/4"/3/8")	Ø6.35/Ø12.7(1/4"/1/2")	Ø6.35/Ø12.7(1/4"/1/2")
	Controller		Wired Control	Wired Control	Wired Control

Remarks: 1.The above design and specifications are subject to change without prior notice for product improvement.
2.The values given in the table for the noise level reflect the levels in hemi-anechoic rooms.

SPECIFICATIONS

MULTI SPLIT OUTDOOR



Outdoor Model			M20H-14HFN8-Q	M20E-18HFN8-Q	M30G-21HFN8-Q	M30A-27HFN8-Q	M40E-28HFN8-Q	M40B-36HFN8-Q	M50E-42HFN8-Q
Power supply	V,Hz,Ph		220-240-/1/50	220-240-/1/50	220-240-/1/50	220-240-/1/50	220-240-/1/50	220-240-/1/50	220-240-/1/50
Cooling Capacity	Btu/h		14,000(5,000-17,000)	18,000(7,800-19,500)	21,000(6,800-22,500)	27,000(10,850-28,000)	28,000(7,000-33,600)	36,000(7,000-43,200)	42,000(7,000-48,300)
Power consumption-Rated (Min.-Max.)	W		1,270(115-1,672)	1,635(690-2,000)	1,905(180-2,200)	2,450(290-3,100)	2,540(890-3,180)	3,500(1,290-4,240)	3,810(280-4,650)
Running Current - Rated (Min.-Max.)	A		5.8(1.12-7.35)	7.3(3.2-9.0)	8.3(1.8-10)	11.2(2.0-13.5)	11.3(3.9-14.1)	16.8(5.9-18.9)	16(1.4-20.7)
Max. power consumption	W		2,750	3,050	3,910	4,100	4,150	4,600	4,700
Max. running current	A		12	12	17	18	19	21.5	22
Outdoor air flow	m ³ /h (cfm)		2,100 (1,235)	2,100 (1,235)	3,000 (1,765)	3,000 (1,765)	3,800 (2,235)	4,000 (2,352)	3,850 (2,265)
Outdoor sound pressure level	dB(A)		56	54	58	58	61.5	63	64
Throttle type			EEV	EXV+Capillary	EXV+Capillary	EXV+Capillary	EXV+Capillary	EXV+Capillary	EXV+Capillary
Outdoor unit	Dimension(WxDxH)	mm	805x330x554	805x330x554	890x342x673	890x342x673	946x410x810	946x410x810	946x410x810
	Packing(WxDxH)	mm	915x370x615	915x370x615	1030x438x750	1030x438x750	1090x500x875	1090x500x875	1090x500x875
	Net/Gross weight	kg	31.6/34.7	35/38	43.3/47.1	48/51.8	62.1/67.7	68.8/75.6	74.1/79.5
Refrigerant	Type		R32	R32	R32	R32	R32	R32	R32
	Charged quantity	Kg	1.1	1.25	1.5	1.85	2.1	2.1	2.9
Design pressure	MPa		4.3/1.7	4.3/1.7	4.3/1.7	4.3/1.7	4.3/1.7	4.3/1.7	4.3/1.7
Refrigerant piping	Liquid side/ Gas side	mm(inch)	2x6.35mm(2x1/4")/ 2x9.52mm(2x3/8")	2x6.35mm(2x1/4")/ 2x9.52mm(2x3/8")	3x6.35mm(3x1/4")/ 3x9.52mm(3x3/8")	3x6.35mm(3x1/4")/ 3x9.52mm(3x3/8")	4 x 6.35mm/3x 9.52mm +1x12.7mm (4x1/4"/3x3/8"+1x1/2")	4 x 6.35mm/3x9.52mm +1x12.7mm (4x1/4"/3x3/8"+1x1/2")	5 x 6.35mm/4x 9.52mm + 1x12.7mm (5x1/4"/4x3/8"+1x1/2")
	Max. length for all rooms	m	40	40	60	60	80	80	80
	Max. length for one indoor unit	m	25	25	30	30	35	35	35
	Max. height difference between indoor and outdoor unit	m	15	15	15	15	15	15	15
	Max. height difference between indoor units	m	10	10	10	10	10	10	10

Remarks: 1.The above design and specifications are subject to change without prior notice for product improvement.
2.The values given in the table for the noise level reflect the levels in hemi-anechoic rooms.

COMBINATION

MULTI-SPLIT R32 MODEL

M2OC-18HFN8- Q

One Unit	Two Unit
9	9+9
12	9+12
18	

M3OE-21HFN1- Q

One Unit	Two Unit		Three Unit		
7	7+7	9+9	12+12	7+7+7	7+9+9
9	7+9	9+12		7+7+9	9+9+9
12	7+12	9+18		7+7+12	
18	7+18				

M3OE-27HFN8- Q

One Unit	Two Unit		Three Unit
9	9+9	12+12	9+9+9
12	9+12	12+18	9+9+12
18	9+18		9+12+12

M4OB-36HFN8- Q

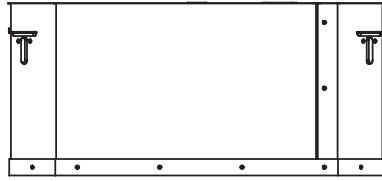
One Unit	Two Unit		Three Unit			Four Unit	
9	9+9	12+12	9+9+9	9+12+12	12+12+12	9+9+9+9	9+9+12+12
12	9+12	12+18	9+9+12	9+12+18	12+12+18	9+9+9+12	9+12+12+12
18	9+18		9+9+18	9+12+24		9+9+9+18	
24			9+9+24	19+18+18			

M5OB-42HFN8-Q

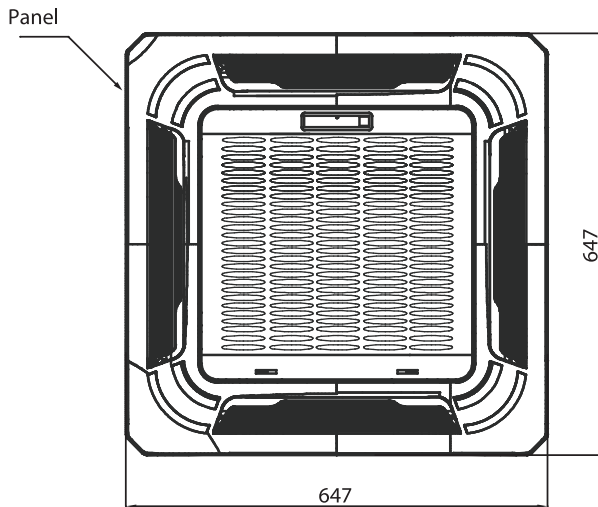
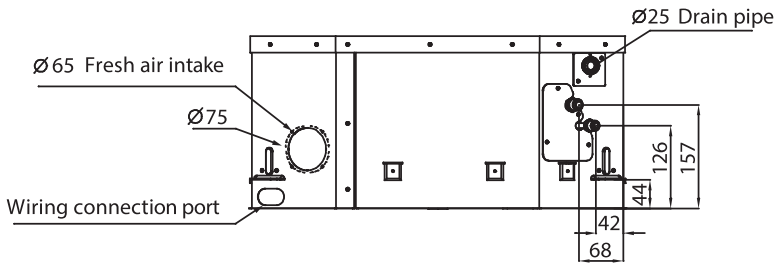
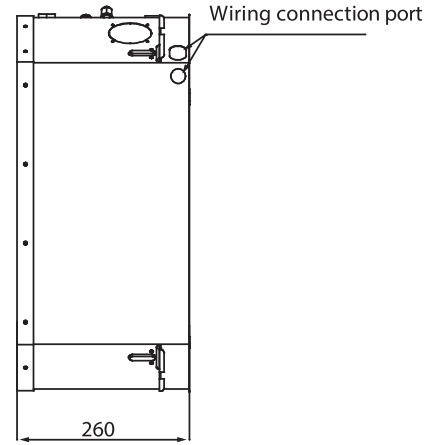
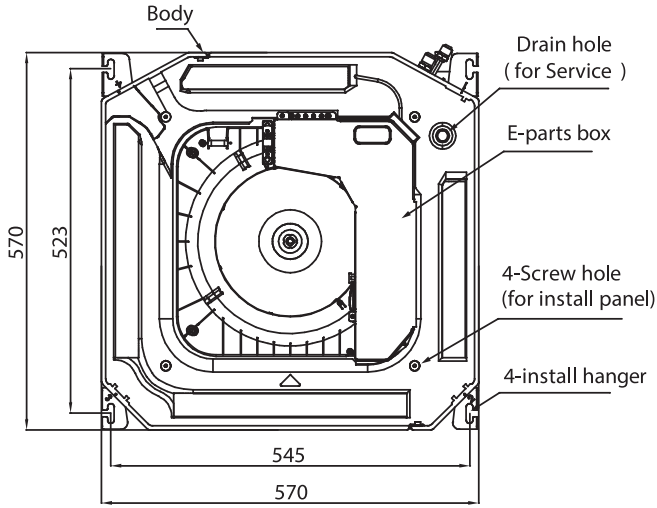
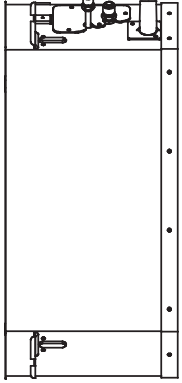
One Unit	Two Unit		Three Unit			Four Unit		
9	9+9	12+12	9+9+9	9+12+12	12+12+12	9+9+9+9	9+9+12+12	9+12+12+18
12	9+12	12+18	9+9+12	9+12+18	12+12+18	9+9+9+12	9+9+12+18	12+12+12+12
18	9+18	12+24	9+9+18	9+12+24	12+12+24	9+9+9+18	9+9+12+24	12+12+12+18
24	9+24	18+18	9+9+24	19+18+18	12+18+18	9+9+9+24	9+12+12+12	
Five Unit								
9+9+9+9+9			9+9+9+12+12					
9+9+9+9+12			9+9+12+12+12					
9+9+9+9+18								

COMPACT CASSETTE DIMENSION

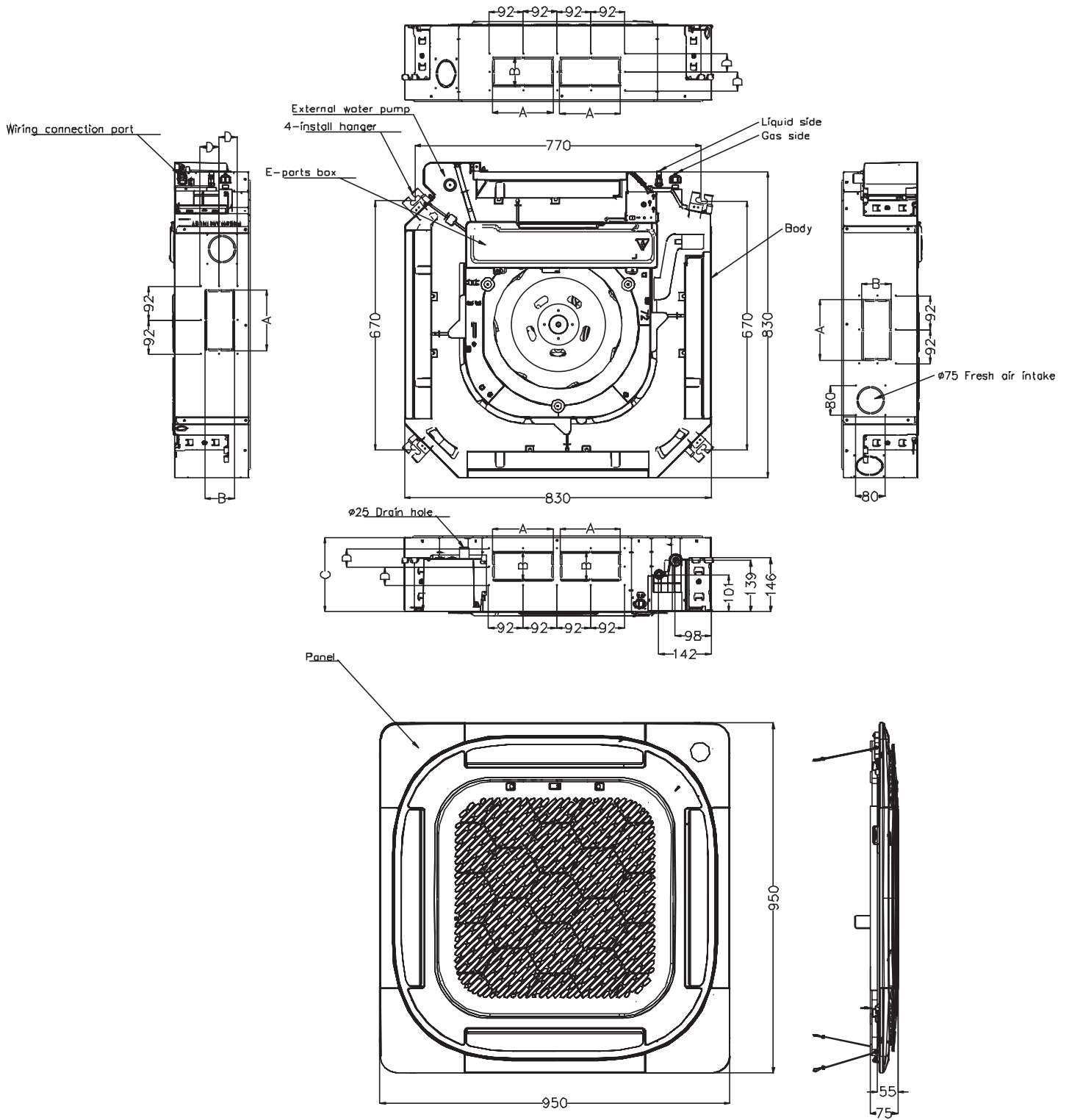
MCA3-12CRN8/MCX-12CRFNX



Liquid side Gas side



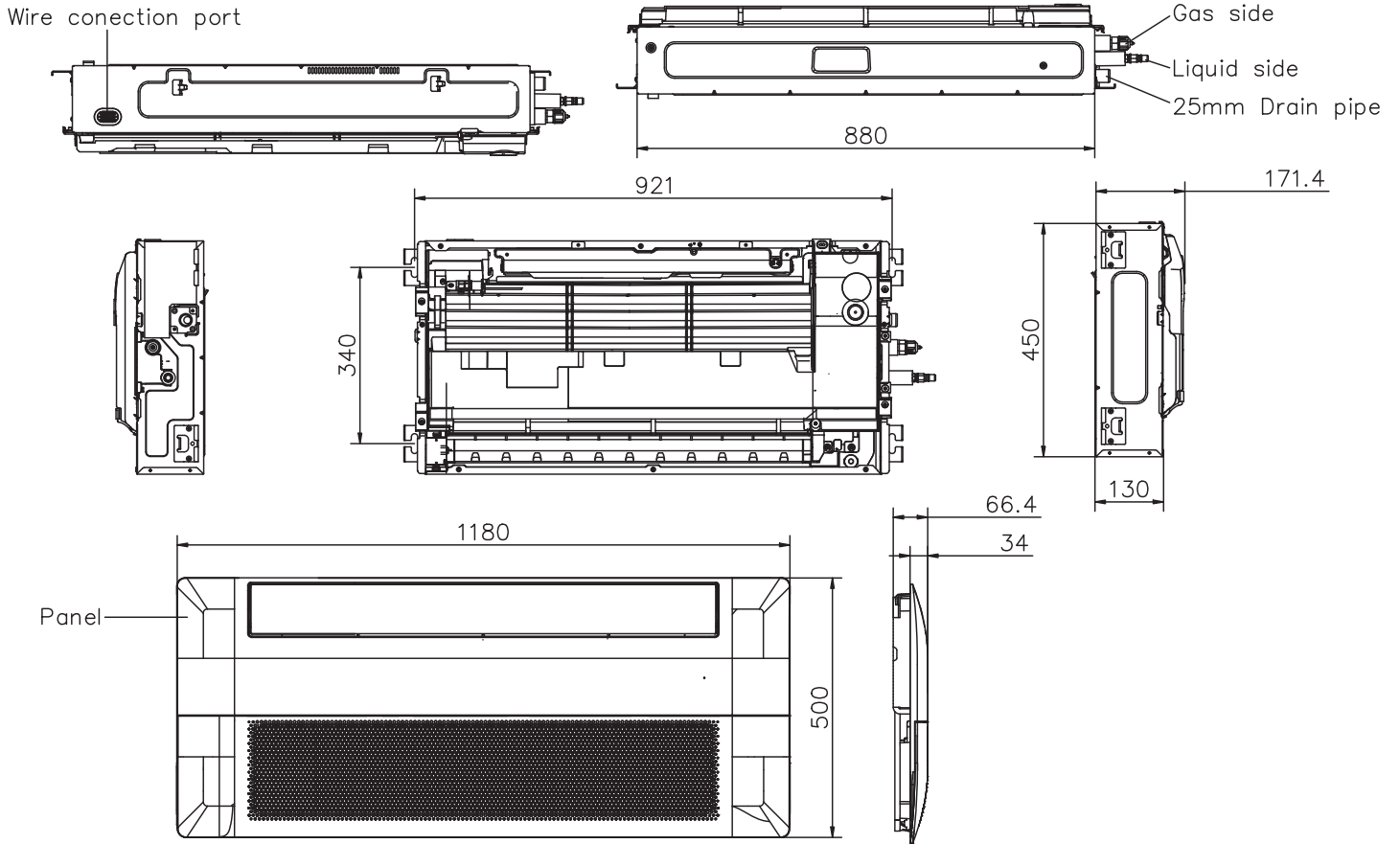
CEILING CASSETTE DIMENSION



Ceiling Cassette Dimension				
Model	A (mm)	B (mm)	C (mm)	D (mm)
MCDX-18CRN8, MCDXMY-25CRN8-SP	165	80	205	50
MCCD-20CRDN8, MCCD-25CRDN8				
MCX-24CRFNX				
MCDX-30/36/48CRN8	165	100	245	60
MCCD-33/40/50CRDN8				
MCX-30/40CRFNX				
MCX-42/48CRFNX	165	100	287	60

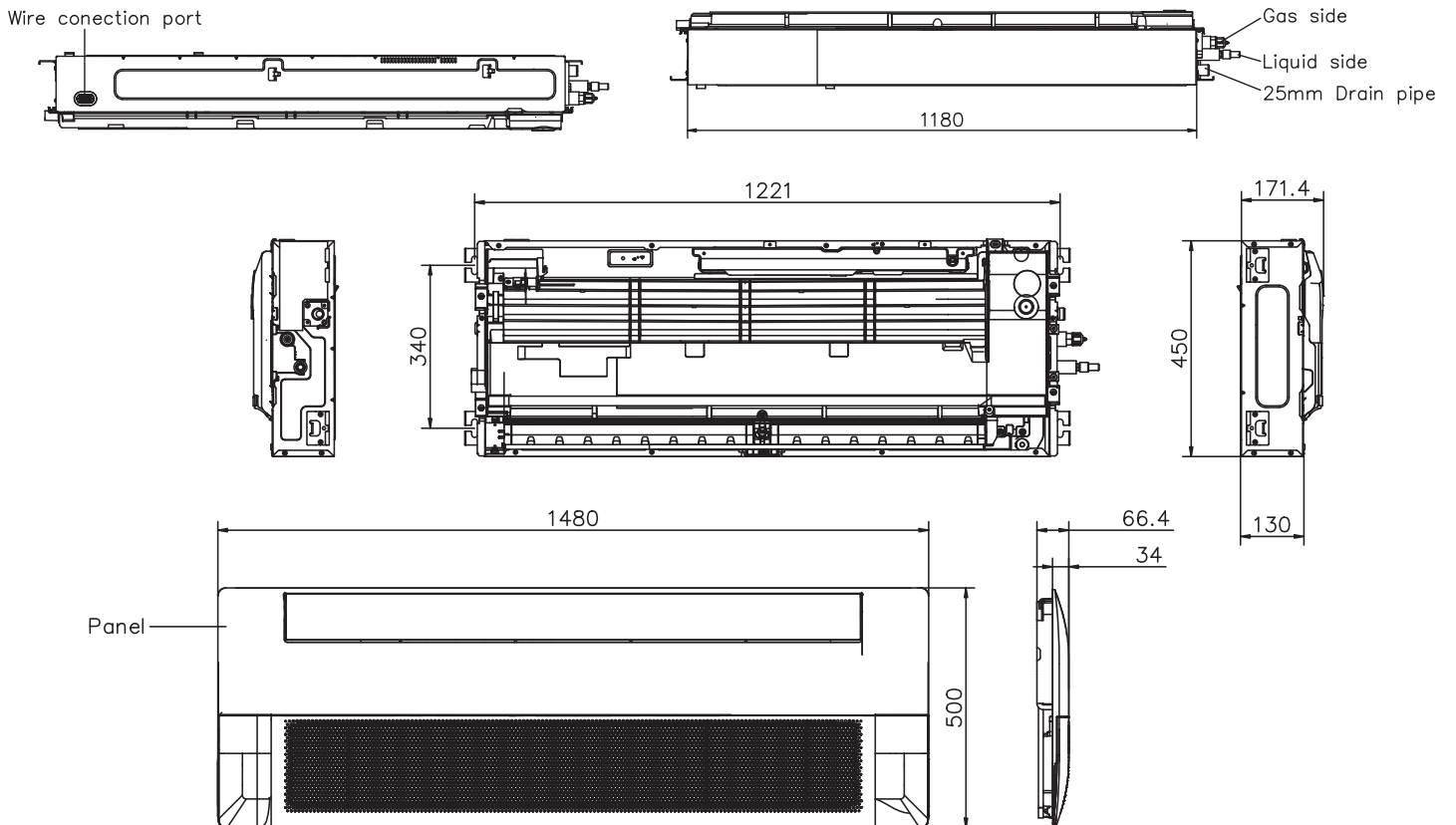
CELEST ONE-WAY CASSETTE

MCUCE-12CRFN8-ID

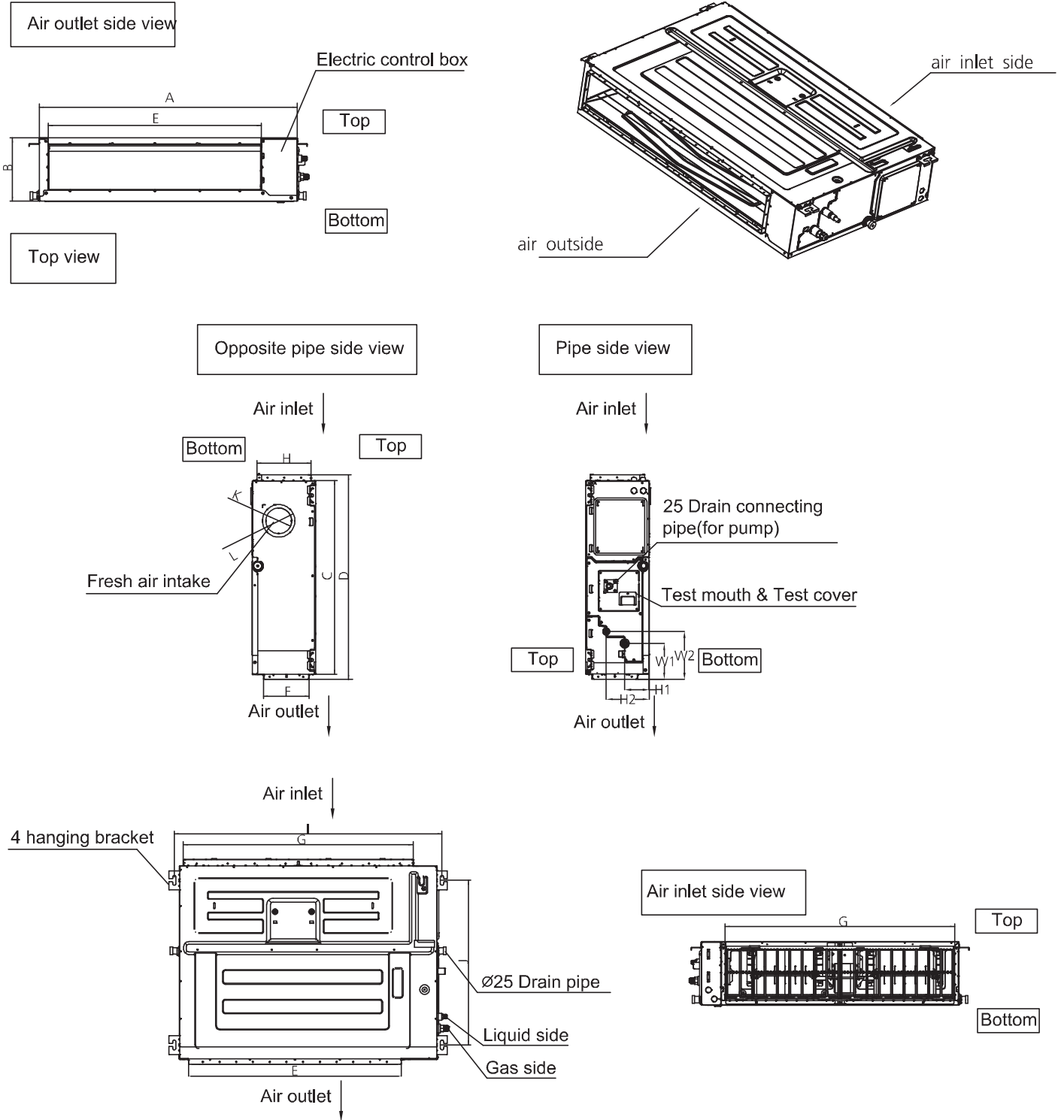


CELEST ONE-WAY CASSETTE

MCUCE-18CRFN8-ID, MCUCE-22CRFN8-ID

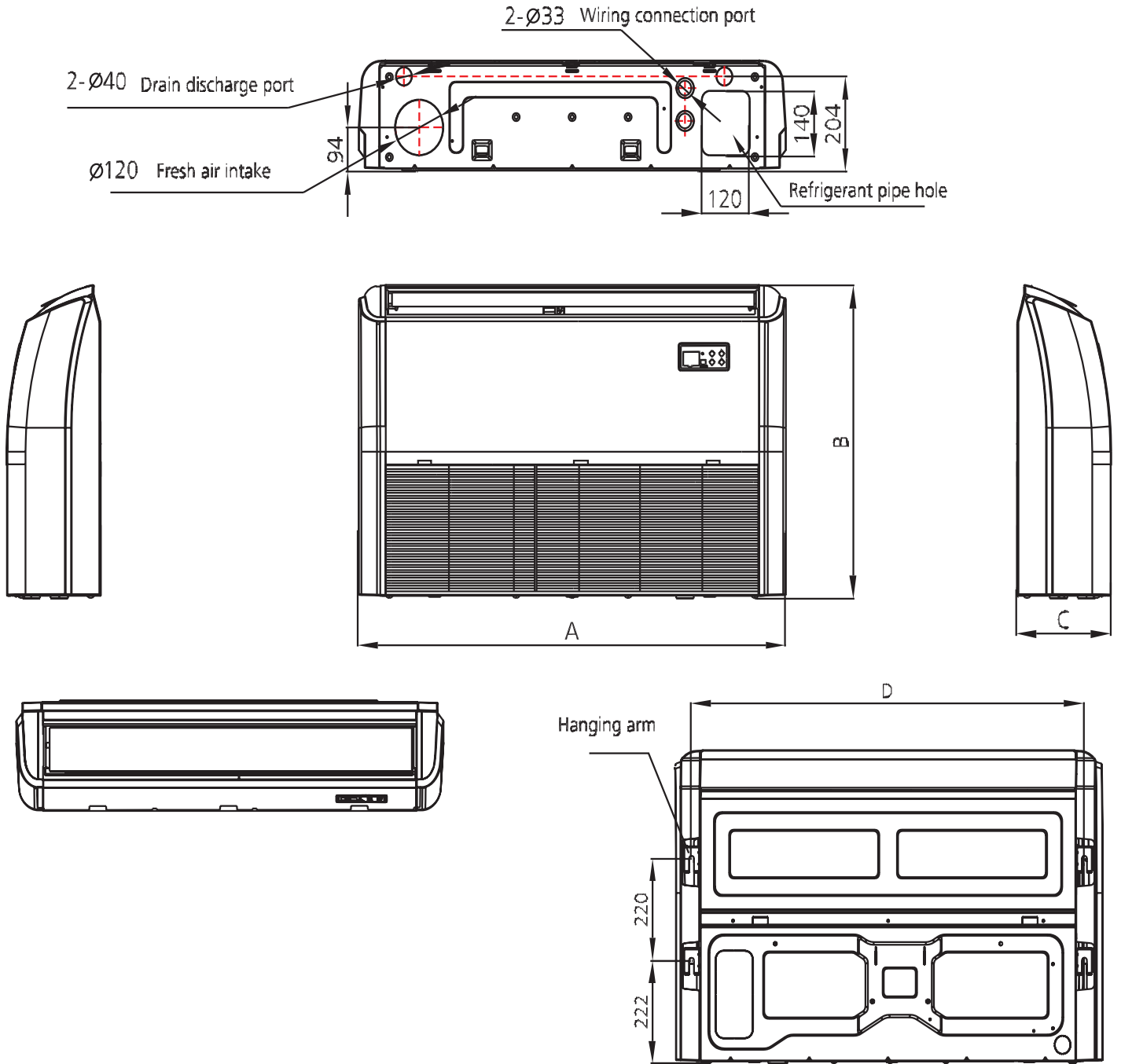


CELEST DUCTED SYSTEM



Ceiling Conceal Dimension																	
Capacity (Btu/h)	Unit	Outline dimension				Air outlet opening size		Air return opening size		Size of Mounted lug Fresh air intake opening size				Size of refrigerant pipe			
		A	B	C	D	E	F	G	H	I	J	K	L	H1	H2	W1	W2
12K	mm	700	200	450	506	537	152	599	186	741	360	100	126	84	140	84	84
18K	mm	700	245	750	795	527	178	592	212	740	640	100	126	72	144	120	165
24K	mm	1000	245	750	795	827	178	892	212	1040	640	100	126	80	151	120	165
33,36,48,55K	mm	1200	245	750	795	1027	178	1092	212	1240	640	100	126	80	151	120	165

CEILING FLOOR DIMENSION

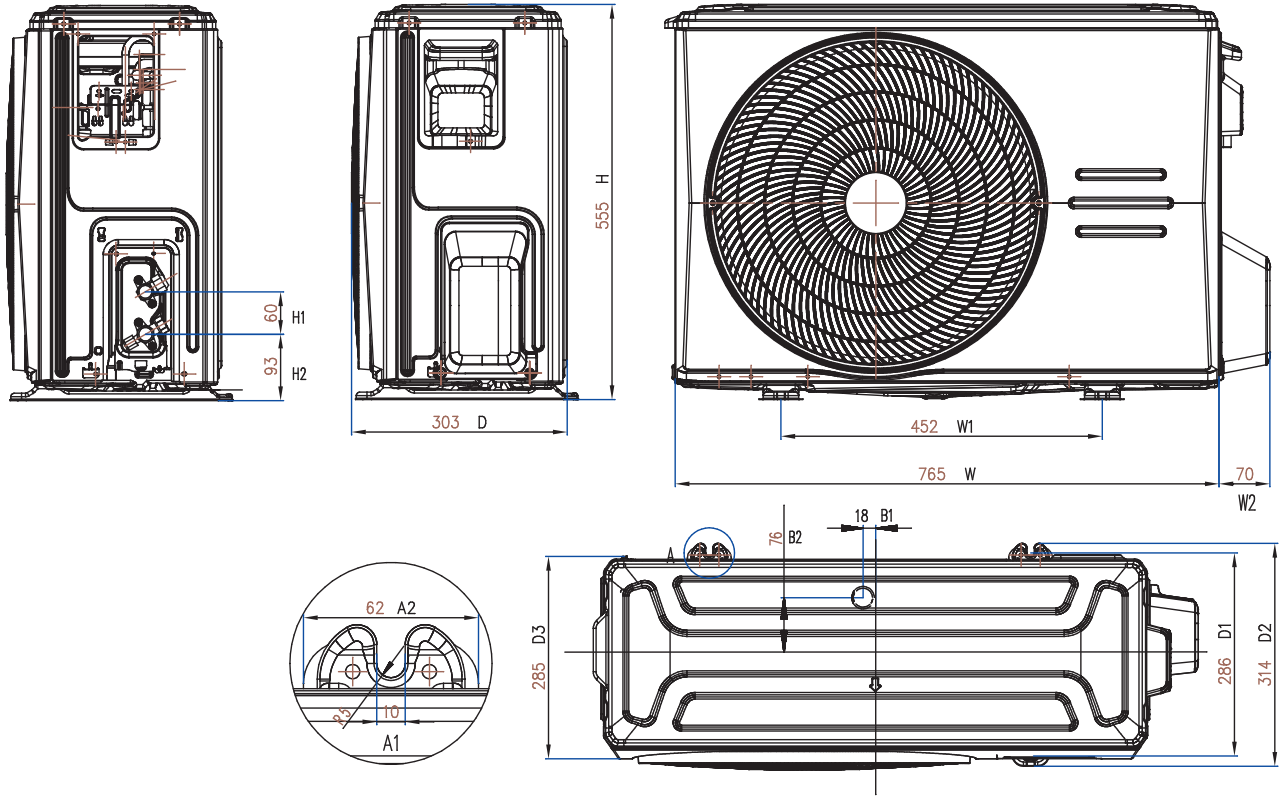


Ceiling Floor Dimension

Model	A (mm)	B(mm)	C(mm)	D(mm)
MUEMY-25CRN8-SP	1068	675	235	983
MUEB-20CRFN8,MUEB-25CRFN8				
MUE-18CRFNX,MUE-24CRFNX				
MUE-36CRNX	1285	675	235	1200
MUEB-33CRFN8,MUEB-40CRFN8				
MUE-48CRNX,MUEB-50CRFN8				
MUE-36/40/48/60CRFNX	1650	675	235	1565

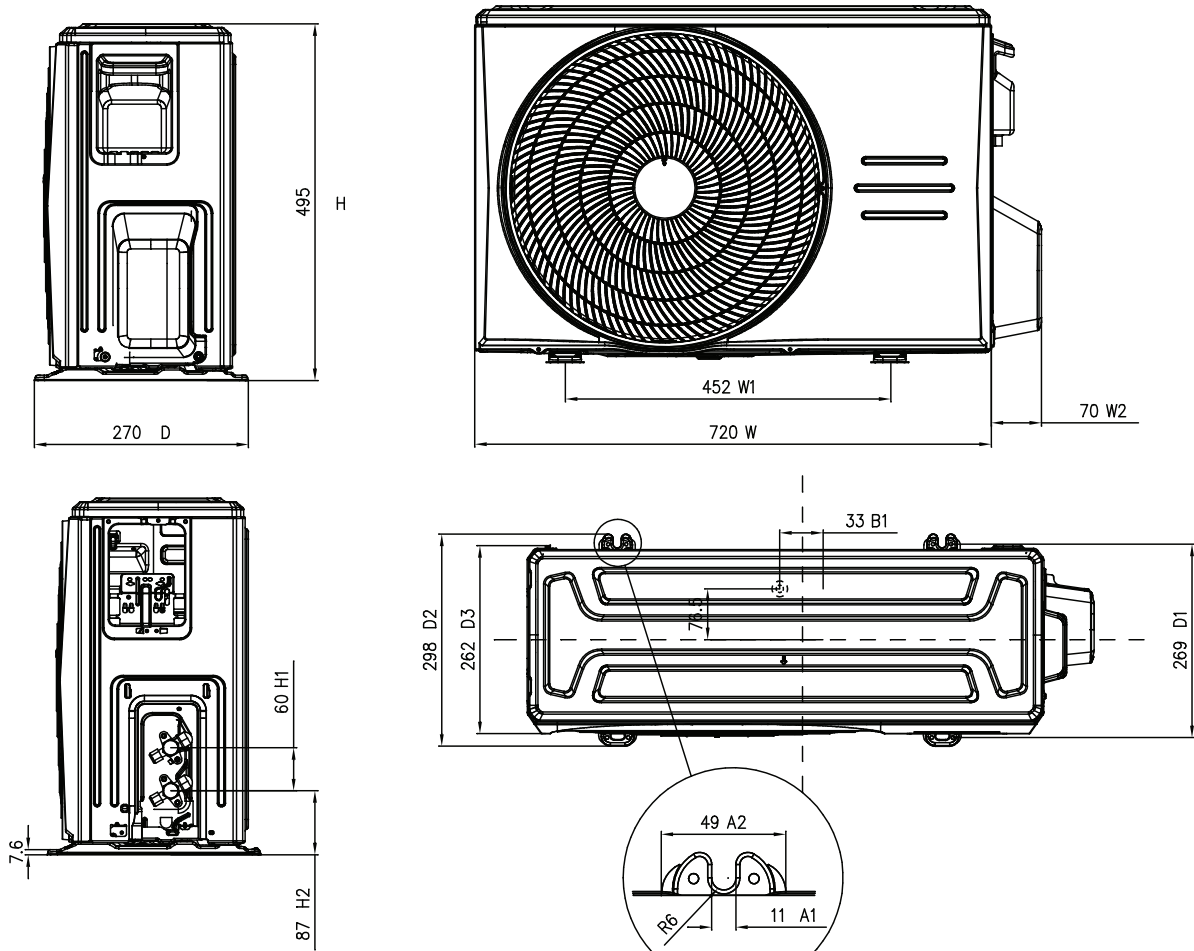
OUTDOOR DIMENSION

MOUX-12CN8, MOUX-12CFN8, MOCE-18CFN8



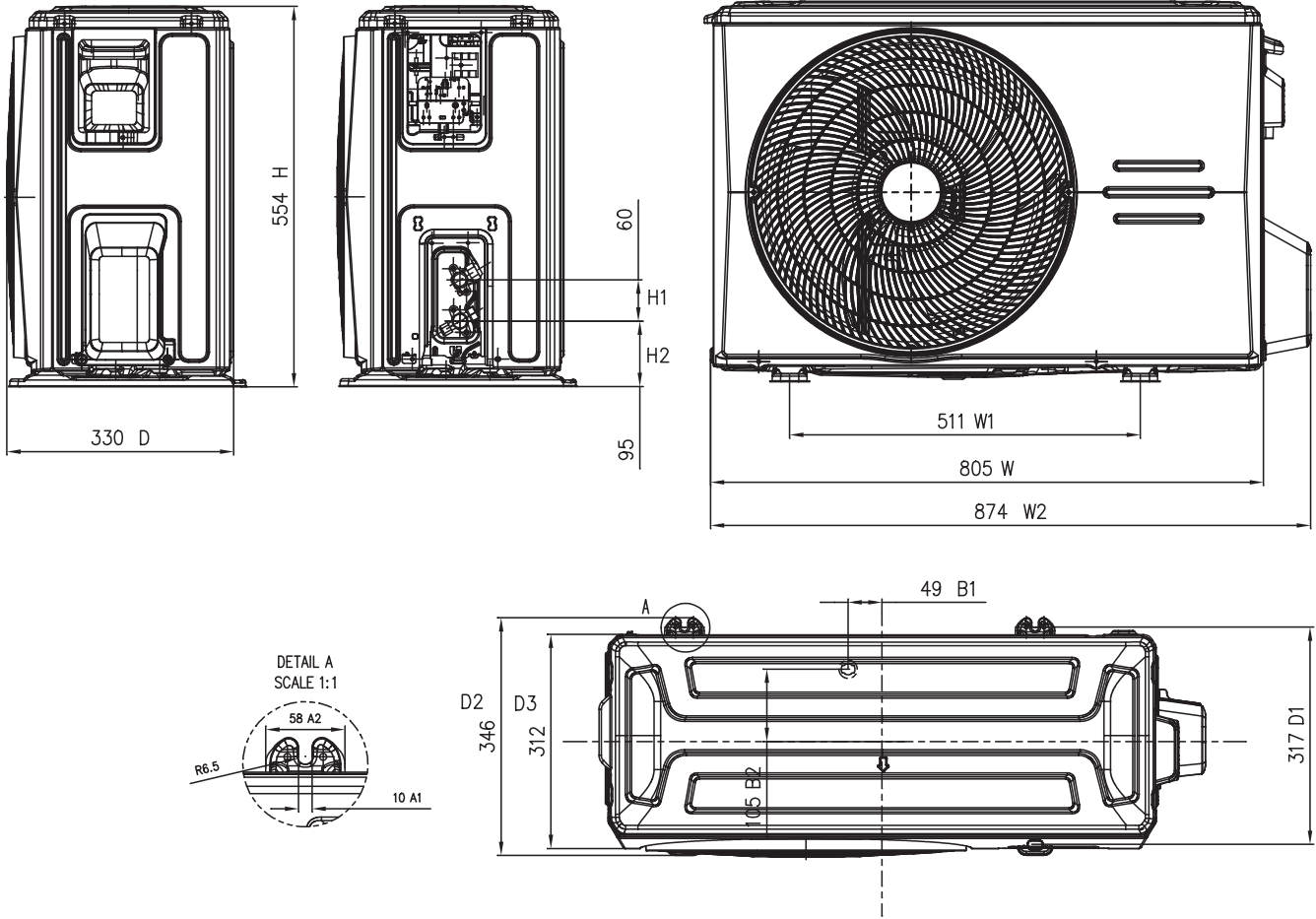
OUTDOOR DIMENSION

MODX-12CFN8-OD, MOCE-12CFN8-OD



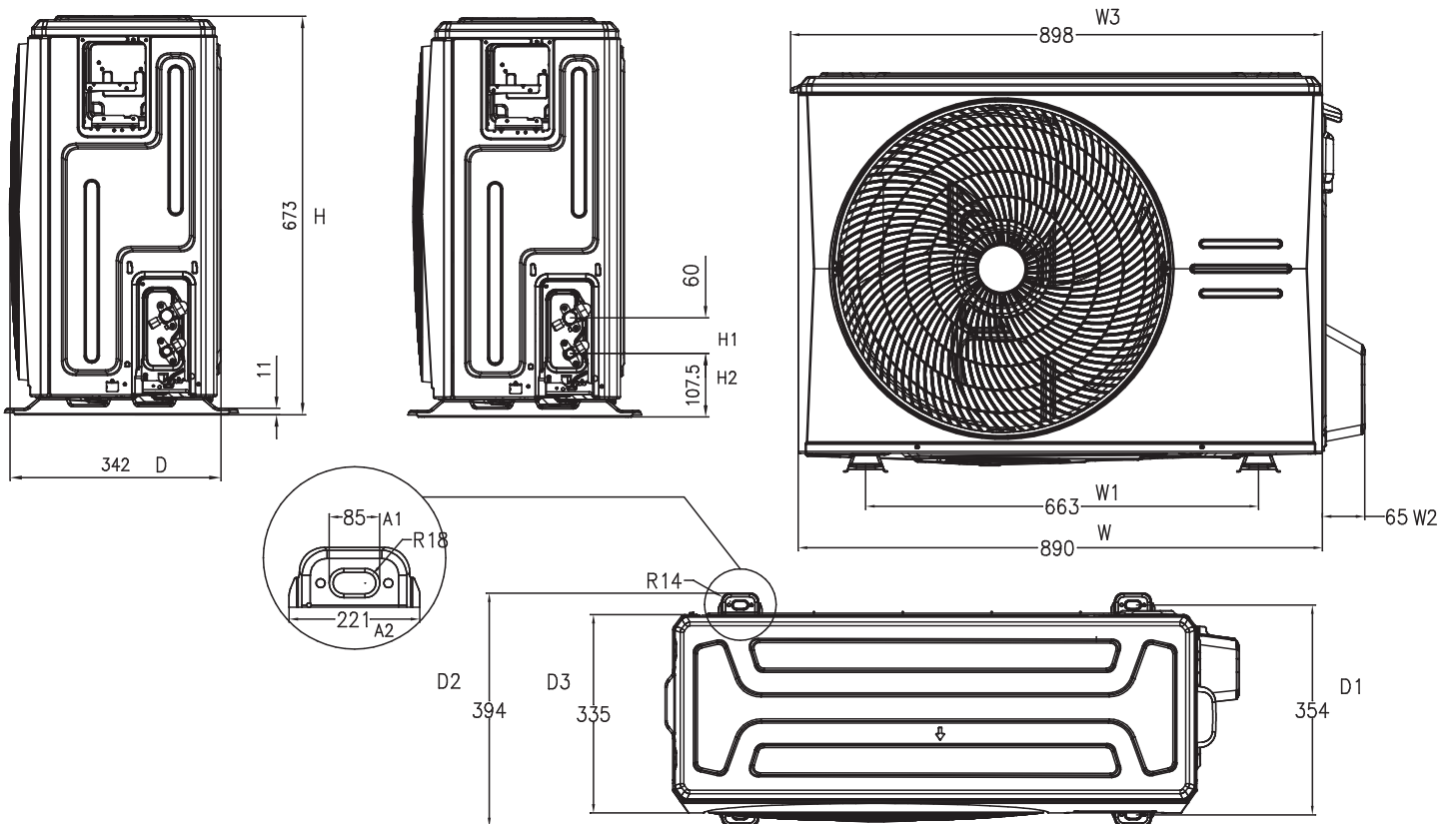
OUTDOOR DIMENSION

MOUX-18CN8, MOU-18HN1, MOUX-18CFN8, MODX-20CFN8



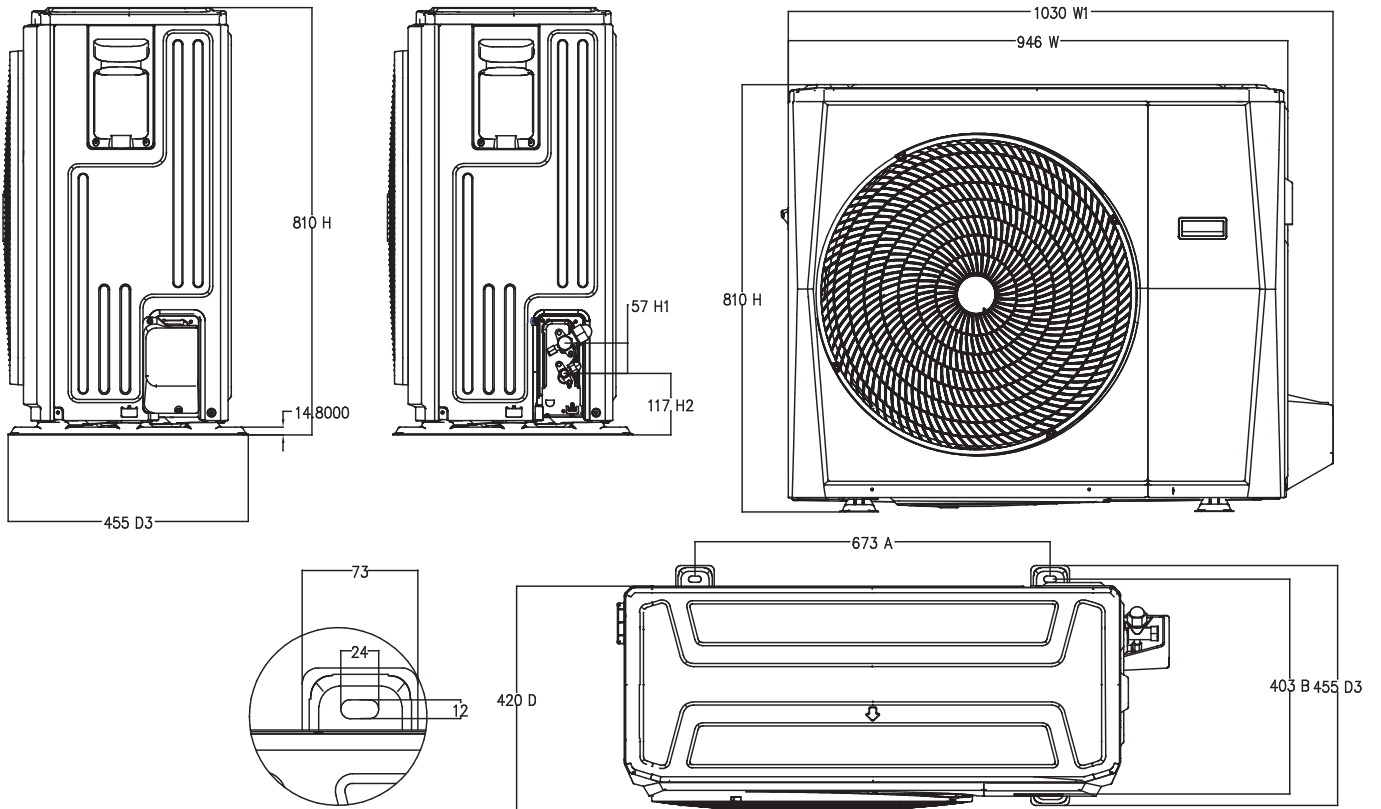
OUTDOOR DIMENSION

MOUXMY-25CRN8-SP, MOU-24HN1, MOUX-24CFN8, MODX-25CFN8, MOCE-25CFN8



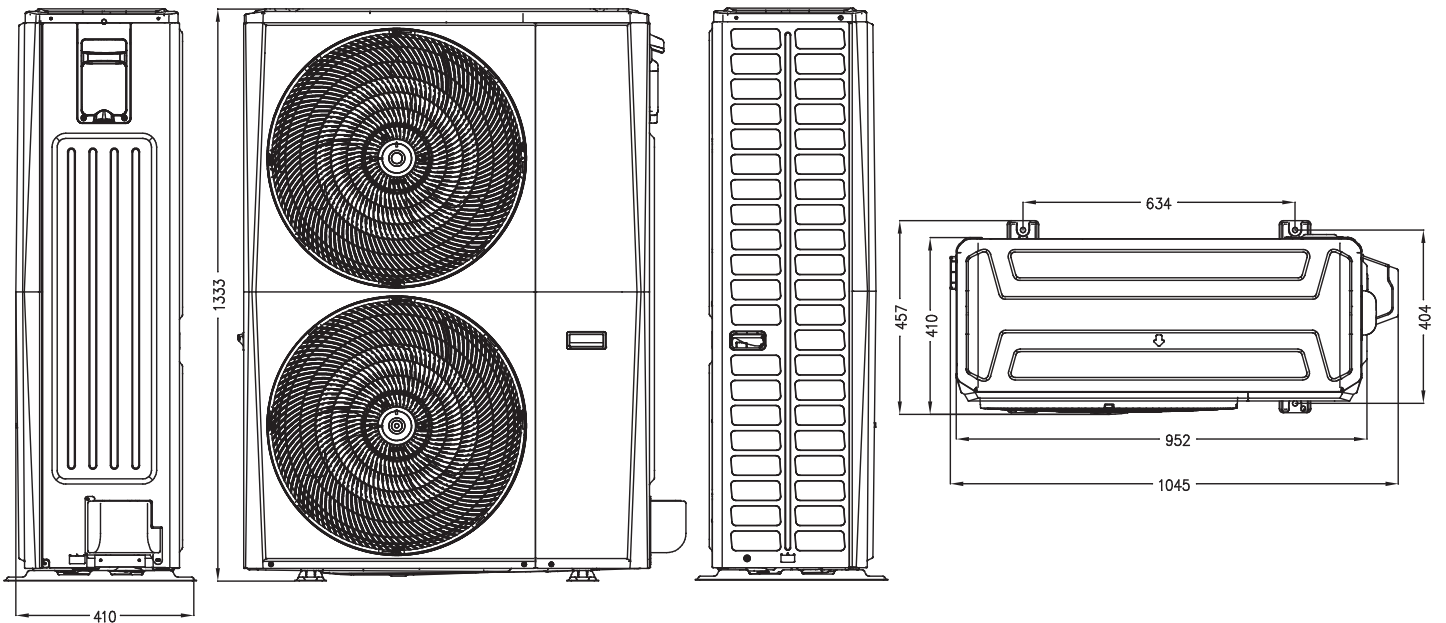
OUTDOOR DIMENSION

MOUX-30CN8, MOUX-36CN8, MOUX-48CN8, MOUX-30CFN8, MOUX-36CFN8,
MOUX-40CFN8, MOUX-42CFN8, MODX-33CFN8, MODX-40CFN8, MODX-50CFN8



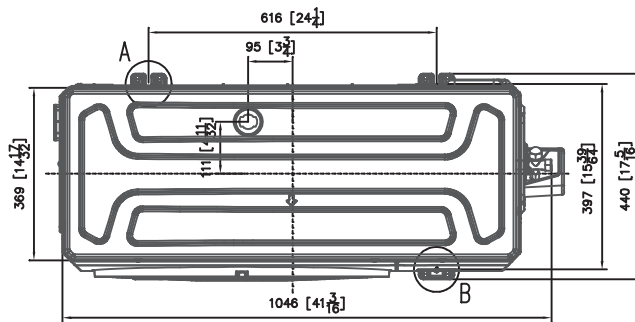
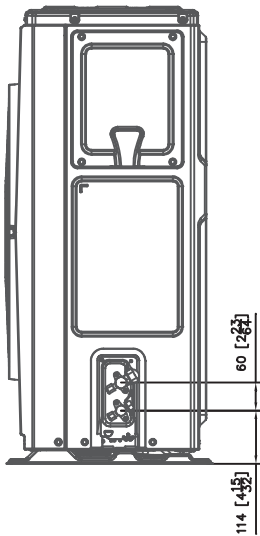
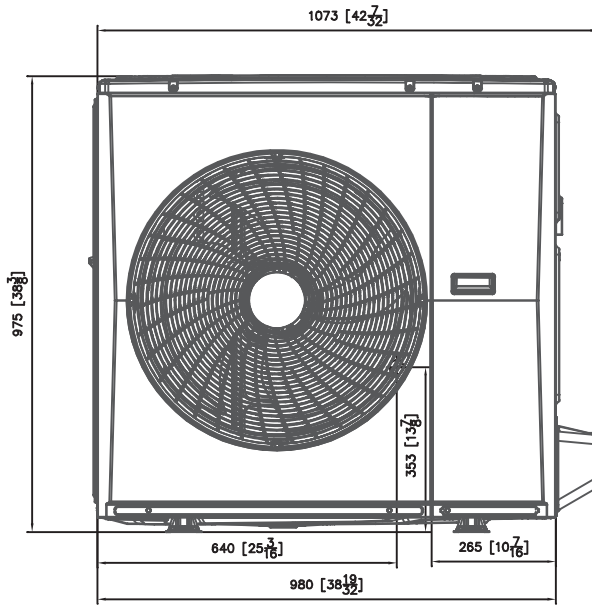
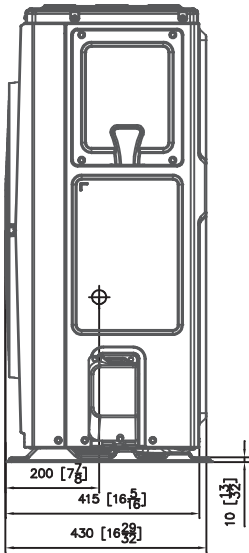
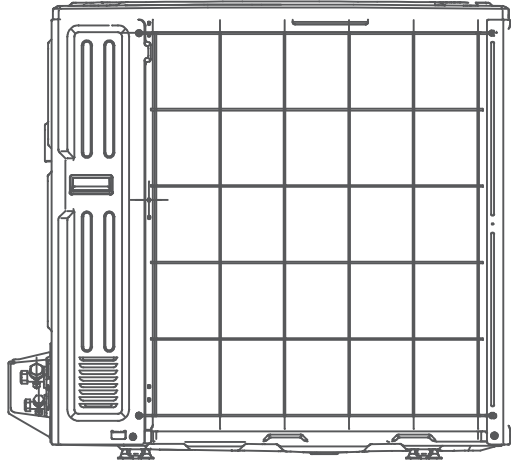
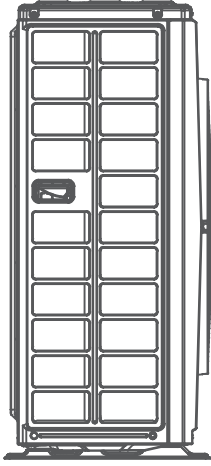
OUTDOOR DIMENSION

MOUX-48CFN8, MOUX-60CFN8



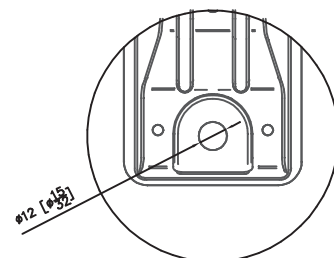
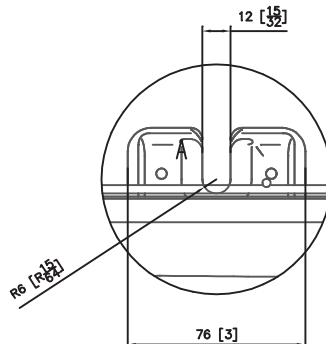
OUTDOOR DIMENSION

MODX-60CFN8-OD



DETAIL A
SCALE 1:1

DETAIL B
SCALE 1:1



INVERTER LCAC ERROR CODE

Display Code	Error Information	Quick Solution
SC	Self clean	Normal function code, not error
FC	Forced cooling	
AP	AP mode of WIFI connection	
EH 00	Indoor EEPROM malfunction	Check indoor PCB or outdoor mainboard
EH 0A	Indoor EEPROM parameter error	Check indoor PCB or outdoor mainboard
EL 01	Communication malfunction between indoor and outdoor units	Check signal wire, outdoor mainboard and indoor PCB
EH 03	The indoor fan speed is operating outside of the normal range	Check indoor fan motor and connection wire, indoor PCB
EH 60	Indoor room temperature sensor T1 is in open circuit or short circuit	Check indoor room temperature sensor
EH 61	Evaporator coil middle temperature sensor T2 is in open circuit or short circuit	Check indoor coil temperature sensor
EL 0C	Refrigerant leakage detection System lacks refrigerant	Check gas leaking, copper pipe flare nut, indoor PCB
EH 0E	Water-level alarm malfunction	Check float switch, water pump, PCB
EC 53	Outdoor ambient temperature sensor T4 is in open circuit or short circuit	Check outdoor condenser room temperature sensor
EC 52	Condenser coil temperature sensor T3 is in open circuit or short circuit	Check outdoor condenser coil temperature sensor
EC 54	Compressor discharge temperature sensor TP is in open circuit or short circuit	Check outdoor compressor top discharge temperature sensor
EC 51	Outdoor unit EEPROM parameter error	Check outdoor main control board
EC 07	The outdoor fan speed is operating outside of the normal range	Check outdoor fan motor and connection wire, outdoor main board
EH 0b	Communication error between indoor two chips	Check indoor PCB
PC 00	IPM malfunction or IGBT over-strong current protection	Check outdoor main board, outdoor fan motor, compressor
PC 01	Outdoor unit voltage protection (low or high voltage)	Check outdoor main board, outdoor fan motor, reactor
PC 02	Top temperature protection of compressor	Check outdoor connection wire, outdoor main board, system blockages
PC 04	Inverter compressor drive error	Check outdoor main board, outdoor fan motor, compressor
PC 03	Pressure protection(low or high pressure)	Check outdoor connection wire,low pressure sensor, outdoor main board
EC 55	Outdoor IPM module temperature sensor fault	Check outdoor main board
EH bA	Communication malfunction between external fan module and indoor unit	Check indoor PCB
EH 3A	External fan DC bus voltage is too low protection	
EH 3b	External fan DC bus voltage is too high fault	
EH 0b	Communication error between indoor PCB and display PCB	Check connection between PCB and display board

NON INVERTER CEILING CASSETTE ERROR CODE

Display Code	Error Information	Quick Solution
EH 00	Indoor EEPROM malfunction	Check power and Indoor PCB
EH 03	The indoor fan speed is operating outside of the normal range	Check Indoor PCB
EH 60	Indoor room temperature sensor T1 is in open circuit or short circuit	Check indoor room temp. sensor
EH 61	Evaporator coil temperature sensor T2 is in open circuit or short circuit	Check indoor coil temp. sensor
EL 0C	Refrigerant leakage detection	Check gas leaking, copper pipe flare nut, indoor PCB
EH 0E	Water level alarm malfunction	Check float switch, water pump, PCB
EC 52	Condenser coil temperature sensor T3 is in open circuit or short circuit	Check outdoor condenser coil sensor or main PCB
EH 0b	Communication error between indoor two chips	Check Indoor PCB

NON INVERTER CEILING FLOOR/CEILING CONCEAL ERROR CODE

Display Code	Error Information	Quick Solution
E2	Indoor room temperature sensor T1 is in open circuit or short circuit	Check indoor room temp. sensor
E3	Evaporator coil temperature sensor T2 is in open circuit or short circuit	Check indoor coil temp. sensor
E4	Condenser coil temperature sensor T3 is in open circuit or short circuit	Check outdoor condenser coil sensor or main PCB
E6	Outdoor unit malfunction	Check outdoor mainboard
E7	Indoor EEPROM malfunction	Check power and Indoor PCB
EC	Refrigerant leakage detection	Check gas leaking, copper pipe flare nut, indoor PCB
E8	Water level alarm malfunction	Check float switch, water pump, PCB
EH 0b	Communication error between indoor two chips	Check Indoor PCB

NON INVERTER FLOOR STANDING ERROR CODE-1

Display Code	Error Information	Quick Solution
E0	Indoor unit EEPROM parameter error	Check power and Indoor PCB
E3	The indoor fan speed is operating outside of the normal range	Check Indoor PCB, Fan motor
E4	Indoor room temperature sensor T1 is in open circuit or has short circuited	Check indoor room temp. sensor
E5	Evaporator coil temperature sensor T2 is in open circuit or has short circuited	Check indoor coil temp. sensor
EC	Refrigerant leakage detection	Check gas leaking, copper pipe flare nut, indoor PCB
Eb	Indoor PCB/Display board communication error	Check PCB/Display board wire socket connection
E8	Water level alarm malfunction	Check float switch, water pump, PCB
EH 0b	Communication error between indoor two chips	Check Indoor PCB

NON INVERTER FLOOR STANDING ERROR CODE-2

Display Code	Error Information	Quick Solution
EH 00/EH 0A	Indoor EEPROM malfunction	Check power and Indoor PCB
EH 03	The indoor fan speed is operating outside of the normal range	Check Indoor PCB, Fan motor
EH 60	Indoor room temperature sensor T1 is in open circuit or has short circuited	Check indoor room temp. sensor
EH 61	Evaporator coil temperature sensor T2 is in open circuit or has short circuited	Check indoor coil temp. sensor
EL 0C	Refrigerant leakage detection	Check gas leaking, copper pipe flare nut, indoor PCB
EC 52	Condenser coil temperature sensor T3 is in open circuit or has short circuited	Check outdoor condenser coil sensor or main PCB
EH 0b	Indoor PCB/Display board communication error	Check PCB/Display board wire socket connection
PC4C	Lack of phase	Check 3 phase power supply

LCAC OUTDOOR MAIN BOARD ERROR CODE

Outdoor board LED light			Error Information	Quick Solution
LED1	LED2	LED3		
Flash	Off	Off	Phase sequence	Adjust the sequence of any two phase
Flash	Off	Off	Lack of phase(A,B)	Check power supply phase missing
Off	Off	Off	Lack of phase(C)	Check power supply phase missing
Flash	Flash	Off	Low pressure protection	Check gas pressure and low pressure valve
Off	Off	Flash	Current overload protection	Check outdoor board, compressor
Flash	Off	Flash	Communication malfunction between indoor and outdoor units	Check control wire and outdoor board
Off	Flash	Flash	Condenser coil temperature sensor T3 is in open circuit or short circuit	Check outdoor condenser coil sensor or outdoor board
Off	Flash	Off	Open-circuit and short-circuit trouble of T4 or high pressure protection or discharge temperature protection of compressor	Check outdoor sensor or outdoor board,compressor
Flash	Flash	Flash	High temperature protection of condenser	Check refrigerant system blocked or pressure switch
Slow Flash	Slow Flash	Slow Flash	Normal standby	

MIDEA SCOTT & ENGLISH ELECTRONICS SDN BHD (199001002951 (194517-X))

No. 16, Jalan Chan Sow Lin, 55200 Kuala Lumpur

PENANG BRANCH

NO.35, JALAN PERNIAGAAN GEMILANG 1,
PUSAT PERNIAGAAN GEMILANG,
14000 BUKIT MERTAJAM, PULAU PINANG.

PERAK BRANCH

NO.12 & 12A, BERCHAM BISTARI 1,
MEDAN BERCHAM BISTARI,
31400, IPOH, PERAK.

PAHANG BRANCH

NO.258, GROUND FLOOR, JALAN AIR PUTIH,
TAMAN AIR PUTIH MEWAH,
25350 KUANTAN, PAHANG.

KELANTAN BRANCH

PT 1436, GROUND FLOOR,
TAMAN KOPERATIF TANJUNG CHAT,
15300 KOTA BHARU, KELANTAN.

MELAKA BRANCH

NO.385L, TAMAN PERINGGIT JAYA,
75400 PERINGGIT, MELAKA.

JOHOR BRANCH

NO. 10, JALAN EKOPERNIAGAAN 1/24,
ECO BUSINESS PARK 1,
81100 JOHOR BAHRU, JOHOR.

SABAH BRANCH

INANAM SURIA COMMERCIAL CENTRE,
LOT B, UNIT 0-9, UNIT 1-9,
GRD. FLOOR & 1ST FLOOR,
88450, KOTA KINABALU, SABAH.

SARAWAK BRANCH

1ST FLOOR, LOT 8517,
STUTONG COMMERCIAL CENTRE,
JALAN STUTONG,
93350 KUCHING, SARAWAK.

Midea Care Line

1300-22-0133

Dealer's Stamp:



midea_malaysia



Midea Malaysia



midea.com/my